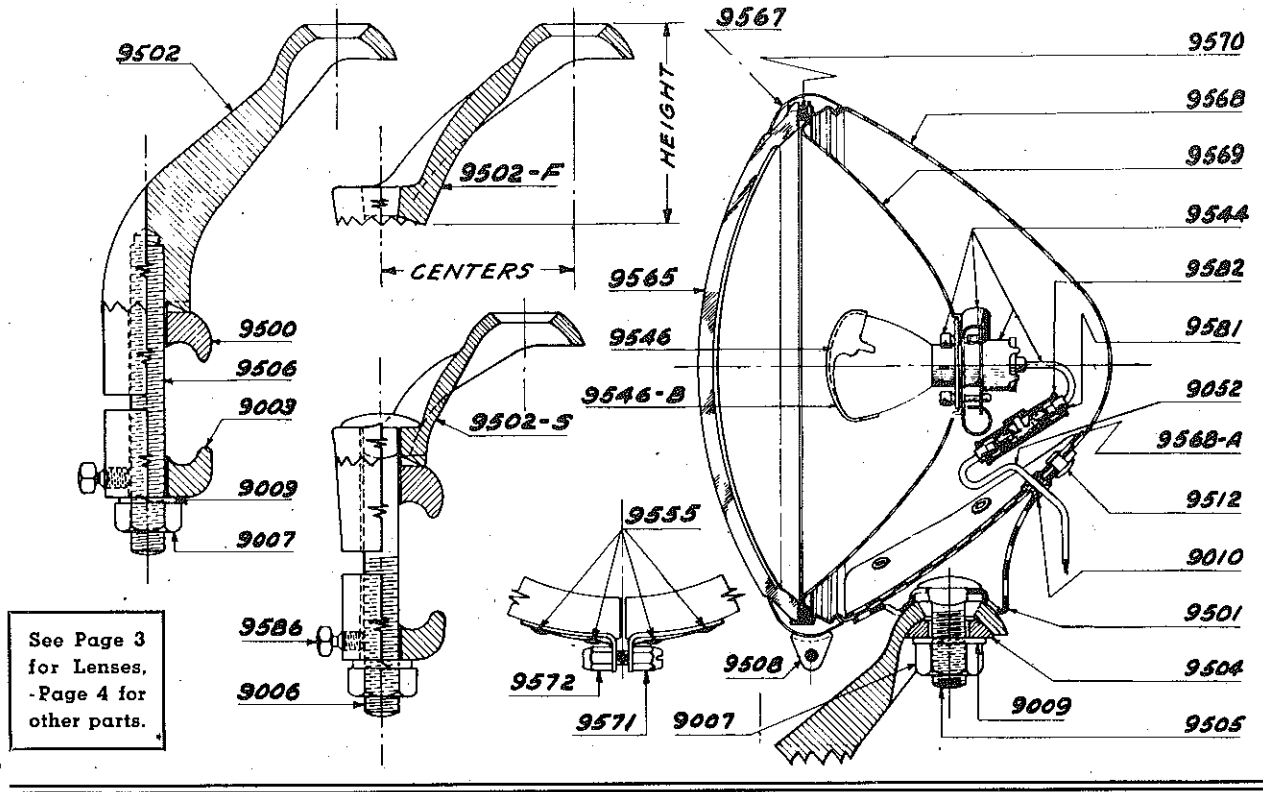
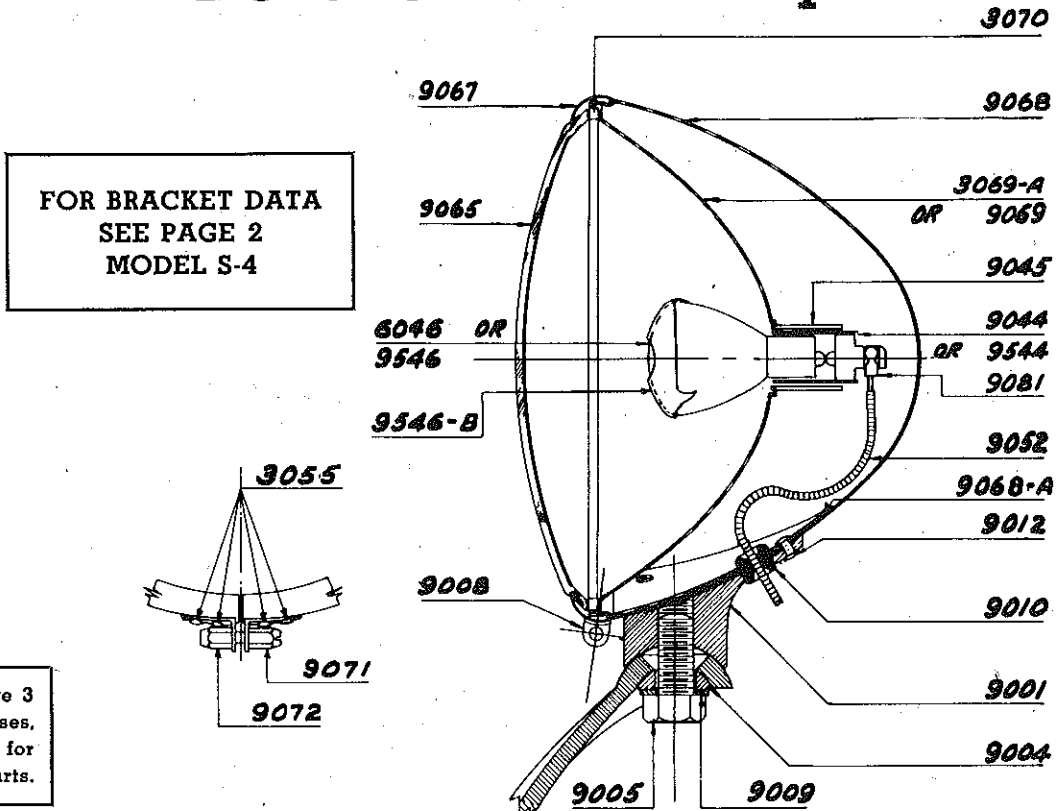


Super Road Lamps - Stock No. 700

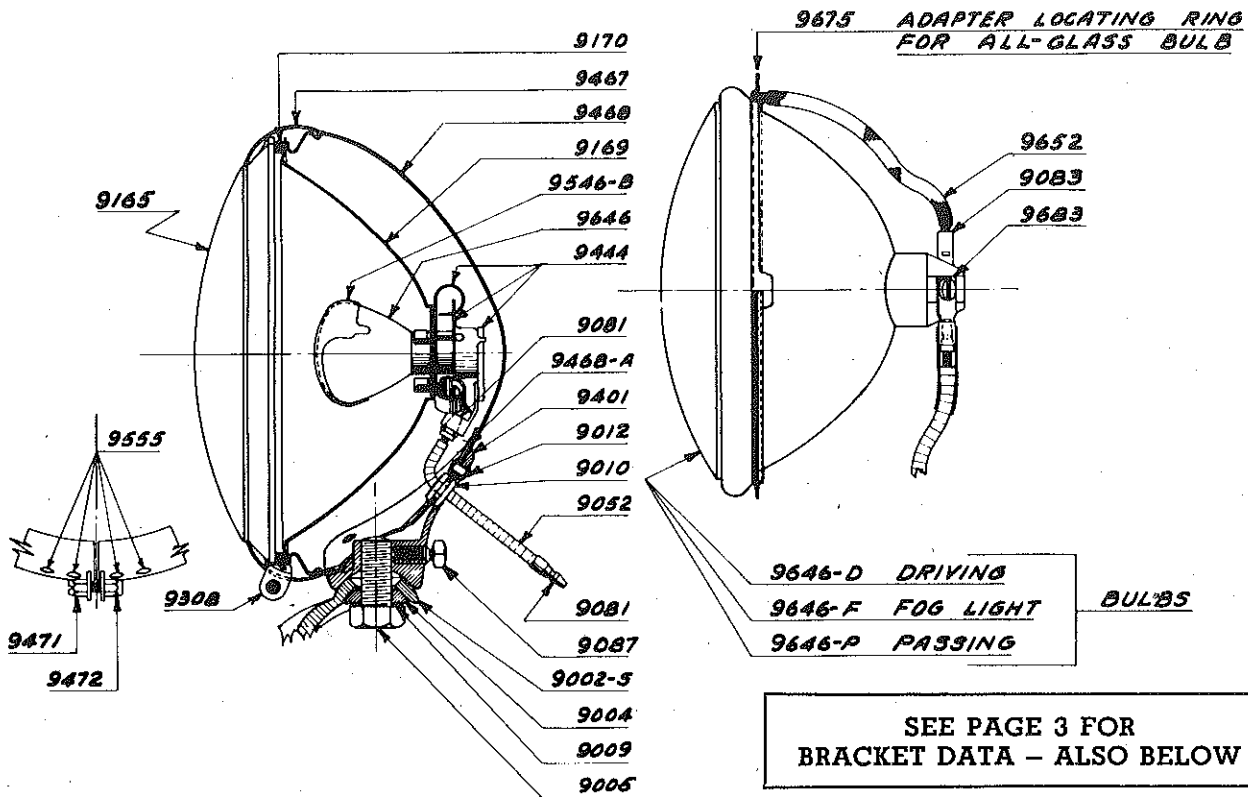


DeLuxe Road Lamps



UNITY MANUFACTURING CO., 2909 Indiana Ave., CHICAGO, ILL.

Model S-3 Road Lamps

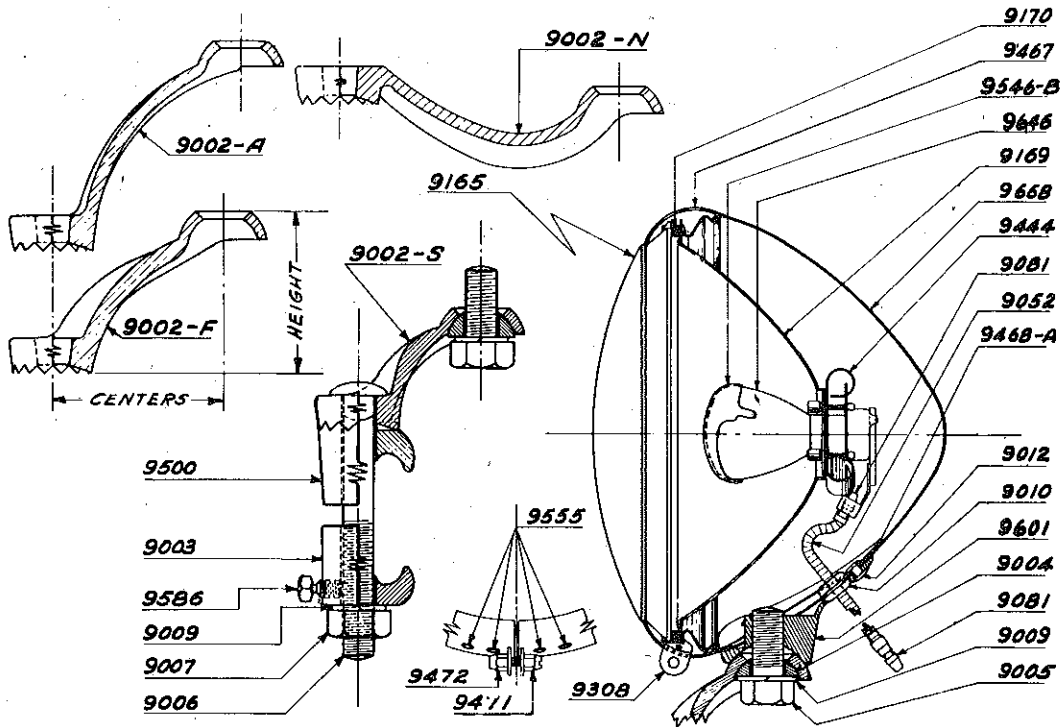


Model S-4 Fog - Glaseal Fog - Driving-Passing Lights

STOCK No. 300

STOCK No. 400

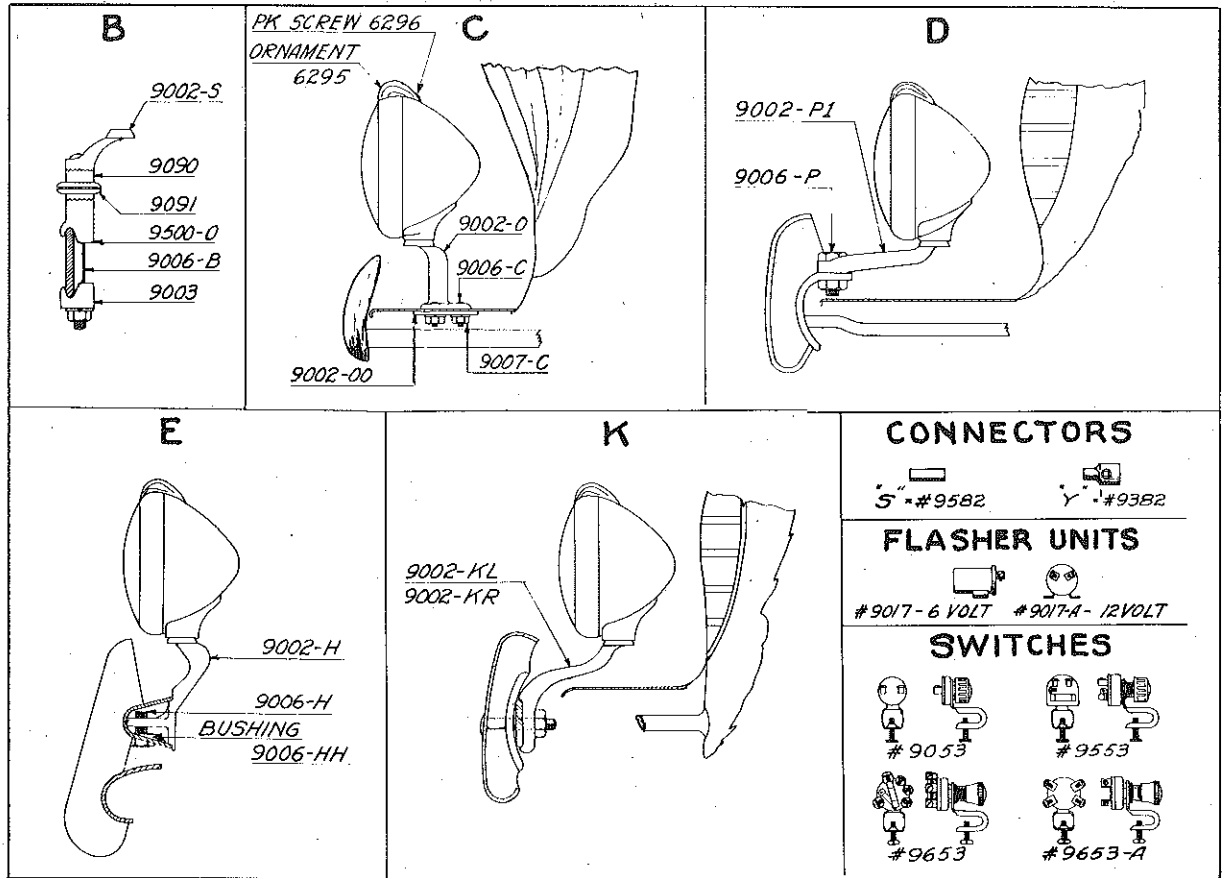
STOCK No. 500



FOR PARTS NUMBERS FOR ORNAMENT
ON MONOGRAM MODELS -
SEE ILLUSTRATION OF "C" BRACKET - PAGE 3.

SEE S-3 ABOVE FOR
ALL-GLASS BULB ADAPTER.

Special Fog Light Brackets



LENSES

Part No.	For Models S-3 & S-4	List
6061	Clear Lens (Spotlight)—5 1/8" Dia.	.40
6061-A	Clear Amber Lens—5 1/8" Diameter	1.10
6061-BA	Blue Lens, with "CROSS" and "AMBULANCE" in White.....	1.75
6061-F	Clear Ruby Lens, with "FIRE" in White.....	1.75
6061-R	Clear Ruby Lens—5 1/8" Diameter...	1.75
6061-RP	Clear Ruby Lens with "POLICE" sandblasted on inside face—5 1/8".....	3.00
6061-RS	Clear Ruby Lens with "SHERIFF" sandblasted on inside face—5 1/8".....	3.00
6061-RHP	Clear Ruby Lens with "HIGHWAY PATROL" on inside face—5 1/8" Diameter.....	3.00
9165	Amber Prism Lens—5 7/8" Dia.....	.75
9165-B	Blue Prism Lens—5 7/8" Diameter...	.75
9165-C	Crystal Prism Lens—5 7/8" Dia.....	.75
9165-G	Green Prism Lens—5 7/8" Diameter.....	.75
9165-O	Orange Prism Lens—5 7/8" Dia.....	.75
9165-R	Red Prism Lens—5 7/8" Diameter...	.75
9165-RMP	Red Lens with MP in black on inside of lens.....	2.00
9165-T	Two-tone Amber-Crystal Prism Lens—5 7/8" Diameter.....	.75

For DeLuxe & Super 6 1/2" Models

6065	Clear Lens (Spotlight)—6 1/4" Dia.	.40
6065-A	Clear Amber Lens—6 1/4" Dia.....	1.10
6065-R	Clear Ruby Lens—6 1/4" Diameter	1.75
6065-RP	Clear Ruby, with "POLICE" sandblasted on inside face of lens—6 1/4".....	3.00
6065-RS	Clear Ruby, with "SHERIFF" sandblasted on inside face of lens 6 1/4" Diameter.....	3.00
9065	Amber Prism Lens—6 1/8" Dia.....	.75
9065-B	Blue Prism Lens—6 1/8" Diameter...	.75
9065-C	Crystal Prism Lens—6 1/8" Dia.....	.75
9065-G	Green Prism Lens—6 1/8" Diameter.....	.75
9065-O	Orange Prism Lens—6 1/8" Dia.....	.75
9065-R	Red Prism Lens—6 1/8" Diameter...	.75

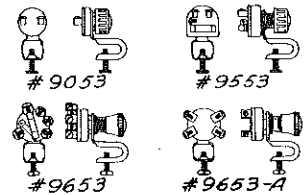
CONNECTORS

S" - #9582 Y" - #9382

FLASHER UNITS

#9017-6 VOLT #9017-A-12VOLT

SWITCHES



LENSES

Part No.	For Super 7" Models	List
9565	Amber Prism Lens—6 3/4" Dia.....	.75
9565-B	Blue Prism Lens—6 3/4" Diameter...	.75
9565-C	Crystal Prism Lens—6 3/4" Dia.....	.75
9565-CA	Clear Amber—6 3/4" Diameter.....	1.50
9565-G	Green Prism Lens—6 3/4" Diameter.....	.75
9565-O	Orange (dark amber) Prism Lens 6 3/4" Diameter.....	.75
9565-R	Red Prism Lens—6 3/4" Diameter...	.75
9565-RC	Clear Ruby Lens—6 3/4" Diameter	1.75
9565-RP	Clear Ruby, with "POLICE" sandblasted on side face of lens—6 3/4".....	3.00
9565-S	Clear Lens—6 3/4" Diameter.....	.75
9565-T	Two-tone Amber-Crystal Prism Lens—6 3/4" Diameter.....	.75

FLASHER UNITS

9017	Flasher Unit, 6 Volt, 5 Ampere capacity.....	1.50
9017-A	Flasher Unit, 12 Volt, 5 Ampere capacity.....	1.50

SWITCHES

9053	Switch for Single Lamp.....	.75
9553	Switch, Fused 3-Pole, for Pair Lamps.....	1.00
9653	Switch, 5-Pole, for Glaseal Driving-Passing Lights.....	1.00
9653-A	Switch, 4-Pole, for Glaseal Driving-Passing Lights.....	1.00

COMPLETE BRACKET ASSEMBLY

Single Bracket for any Unity Light listed hereon, ea. 1.00

Parts Prices (U.S.A.) for Unity Fog Lights

Part No.	List	Part No.	List
3044	Socket for Bayonet Base Bulb.....\$.40	9146-A	6-8 V., 50 C.P. Bulb, Mazda 1503 .35 net
3069-A	Reflector for Bayonet Base Bulb..... 1.50	9146-C	12-16 Volt, 32 C.P. Bulb, Mazda 1327..... .45
3070	Gasket17	9169	Reflector 1.50
*6046	6-8 V., 32 C.P. Bulb, Mazda 1133 .19 net	9170	Gasket17
*6046-A	6-8 V., 50 C.P. Bulb, Mazda 1183 .27 net	9267	Ring Assembly, including 9571-2 1.25
*6046-C	12-16 V., 32 C.P. B'b, Mazda 1143 .30 net	9268	Shell Assem., incl. 9201 & 9268-A 3.00
*6046-D	12-16 V., 50 C.P. B'b, Mazda 1195 .45 net	9382	"Y" Connector15
*6046-E	32 Volt, 50 C.P. Bulb (R.P. 11)... 1.20 net	9444	Bulb Socket, for pre-focused bulbs .40
6295	Shell ornament, complete with Unity name plate..... .70	9467	Ring Assembly incl. Part 9471-2..... 1.00
6296	Shell ornament attaching screw..... .05	9468	Shell Assembly incl. Parts Nos. 9401 & 9468-A..... 3.00
9002-A	Bracket Arm— $3\frac{1}{8}$ " Height— $2\frac{7}{8}$ " between hole centers..... .40	9471-2	Ring Screw & Nut, $8-32 \times \frac{7}{8}$ "..... .10
9002-F	Bracket Arm— $2\frac{3}{8}$ " Height— $2\frac{1}{2}$ " between hole centers..... .40	9500	Upper Bracket Clamp..... .20
9002-H	"E" Bracket Arm..... 1.00	9500-A	Upper Bracket Clamp with $\frac{1}{2}$ " opening for thick Bars (Pairs with Part No. 9003-A)..... .20
9002-KL	Left "K" Bracket Arm..... 1.00	9500-O	Long Upper Bracket Clamp..... .20
9002-KR	Right "K" Bracket Arm..... 1.00	9502	Bracket Arm— $3\frac{3}{4}$ " Height, $2\frac{1}{2}$ " between hole centers..... .40
9002-N	"F" Bracket Arm—Level Height — $4\frac{1}{8}$ between hole centers..... 1.00	9502-F	Bracket Arm— $2\frac{3}{4}$ " Height, $2\frac{5}{8}$ " between hole centers..... .40
9002-O	"C" Bracket Arm..... 1.00	9502-S	Bracket Arm—2" Height, 2" between hole centers..... .40
9002-OO	"C" Bracket Reinforcing Plate..... .10	9504	Bracket Washer12
9002-OI	"O" Bracket Arm..... 1.00	9504-A	Shell Bracket Adaptor Washer..... .15
9002-PI	"D" Bracket Arm..... 1.00	9506	Bracket Stud15
9002-S	Bracket Arm— $1\frac{3}{4}$ " Height—2" between hole centers..... .40	9506-A	Long Bracket Stud—5"..... .15
9003	Bottom Bracket Clamp..... .20	9544	See Part No. 9444.
9003-A	Bottom Bracket Clamp with $\frac{1}{2}$ " opening for thick bars (Pairs with Part No. 9500-A)..... .20	**9546	6-8 V., 32 C.P. Bulb—Mazda 2330 .30 net
9004	Bracket Cup Washer..... .12	**9546-A	6-8 V., 50 C.P. Bulb—Mazda 2530 .45 net
9005	Bracket Head Bolt— $\frac{7}{8}$ " x 1" U.S.S. .12	9546-B	Bulb Shield15
9006	Bracket Clamp Bolt— $\frac{7}{8}$ " x 4" U.S.S. .12	**9546-C	12-16 V., 32 C.P. B'b—Mazda 2336 .45 net
9006-B	Bracket Clamp Bolt— $\frac{7}{8}$ " x 6" U.S.S. .15	**9546-D	12-16 V., 50 C.P. B'b—Mazda 2536 .65 net
9006-C	Bkt. Attaching Bolt— $\frac{1}{4}$ "— $20 \times \frac{3}{4}$ " .05	9567	Ring Assembly, including 9571-2... 1.25
9006-H	Bkt. Att. Bolt— $\frac{3}{8}$ " U.S.S. x $\frac{7}{8}$ "..... .06	9568	Shell Assem., incl. 9501 & 9568-A 3.00
9006-HH	"E" Bracket Bushing..... .10	9569	Reflector 1.50
9006-J	Bkt. Clamp Bolt— $\frac{7}{8}$ " x $\frac{3}{4}$ " U.S.S. .15	9570	Gasket17
9006-P	Bkt. Att. Bolt— $\frac{7}{8}$ " U.S.S. x $1\frac{1}{2}$ "..... .06	9571-2	Ring Screw & Nut $10-32 \times \frac{3}{4}$ "..... .10
9007	Nut for No. 9006 Bolt— $\frac{7}{8}$ " U.S.S. .05	9582	Bakelite Connector10
9007-C	Nut for 9006-C— $\frac{1}{4}$ —20..... .01 net	9586	Theft-Proof Set Screw..... .10
9009	Bracket Washer02	9646	See No. 9146.
9010	Rubber Grommet05	9646-C	Glaseal Crystal Fog Bulb, Mazda No. 4012..... 1.10 net
9044	Socket for Bayonet Base Bulb..... .40	9646-D	Glaseal Driving Light Bulb, Mazda No. 4010..... 1.10 net
9052	Wire Assembly60	9646-F	Glaseal Amber Fog Bulb, Mazda No. 4012-A..... 1.35 net
9067	Ring, including 9071-2..... 1.10	9646-P	Glaseal Passing Light Bulb, Mazda No. 4011..... 1.10 net
9068	Shell Assembly, including 9001 & 9068-A..... 3.00	9668	Shell Assembly including Parts Nos. 9601 & 9468-A..... 3.00
9069	Reflector, for Pre-focused bulb..... 1.50	9675	Adaptor Locating Ring, including Ground Wire #9652 and Ter- minals No. 9083 & Two No. 9683 .50
9071-2	Ring Screw & Nut, $8-32 \times \frac{7}{8}$ "..... .10		
9083	Open end terminal..... .10		
9084	Round hole terminal..... .10		
9087	Break Off Screw— $\frac{1}{4}$ " x $\frac{1}{2}$ " Long... .02		
9090	Clamp Extension Bushing..... .15		
9091	Rubber Grommet for "B" Bracket .15		
9146	6-8 V., 32 C.P. Bulb, Mazda 1323 .27 net		

On Jobber orders for Parts Only, totaling less than \$3.00 wholesale, a service charge of 25¢ will be added.

PLEASE ORDER BY PART NUMBER—PRICES SUBJECT TO CHANGE WITHOUT NOTICE.