

Bumper & Pan Mounting Fog, Driving, Back-Up Lights

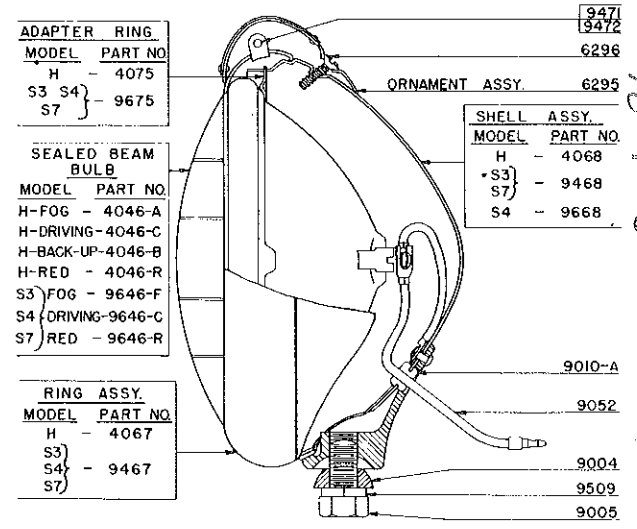
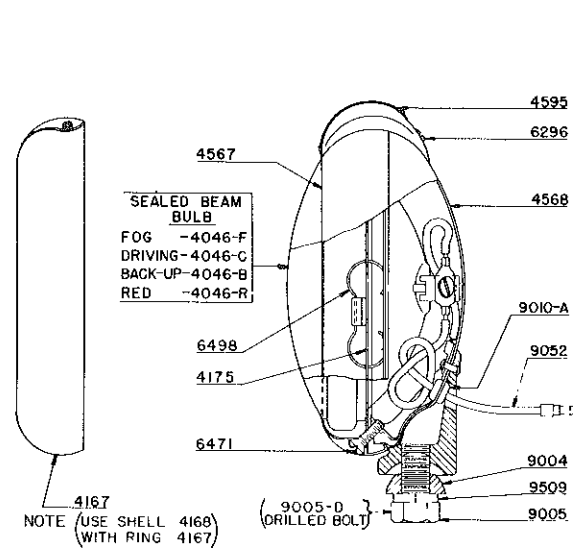
10-1-56

MODEL H1 SHOWN BELOW

STOCK NOS. 420-430-520

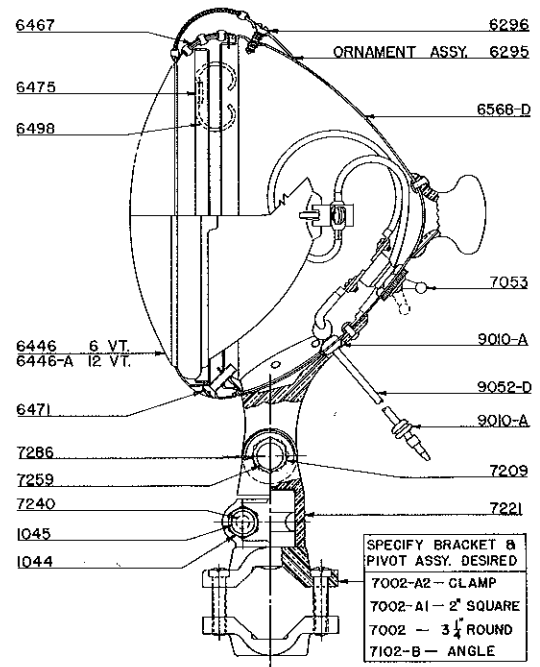
MODELS H, S3 SHOWN BELOW

STOCK NOS. 300-400
*310-312

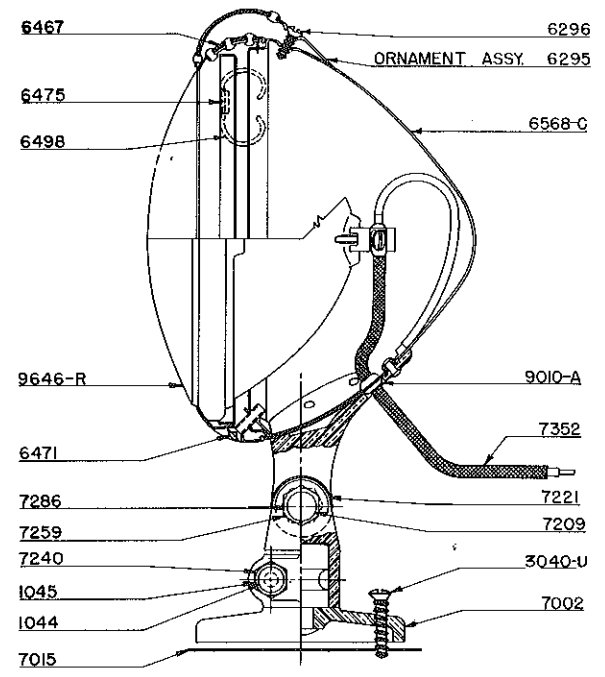


SEALED BEAM ASSEMBLY SHOWN ABOVE.
* MODELS PRECEDING SEALED BEAM TYPE ARE SAME AS ABOVE EXCEPT FOR SEPARATE LENS, REFLECTOR, GASKET, BULB ASSEMBLY. SEE PAGE 3 FOR GASKETS-BULBS-LENSES. WHERE NECESSARY HAVE REFLECTOR RESILVERED LOCALLY

"AG" Sealed Beam Deck Light

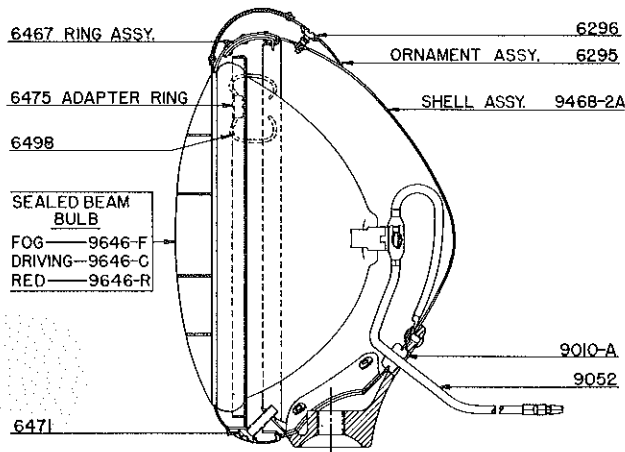


No. 3 (Universal Warning Light No. 3X) Light



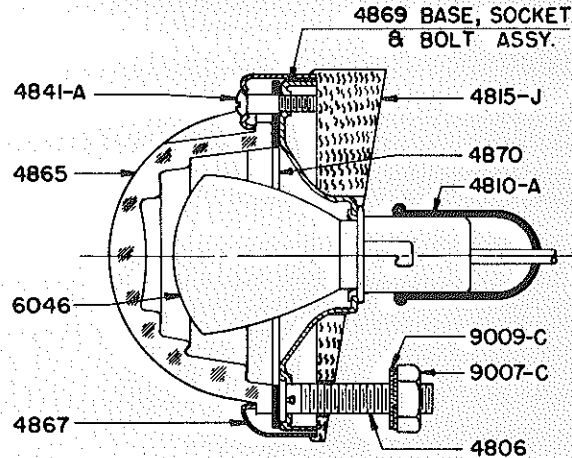
Model F-1 Fog Light

STOCK NOS. 300-400

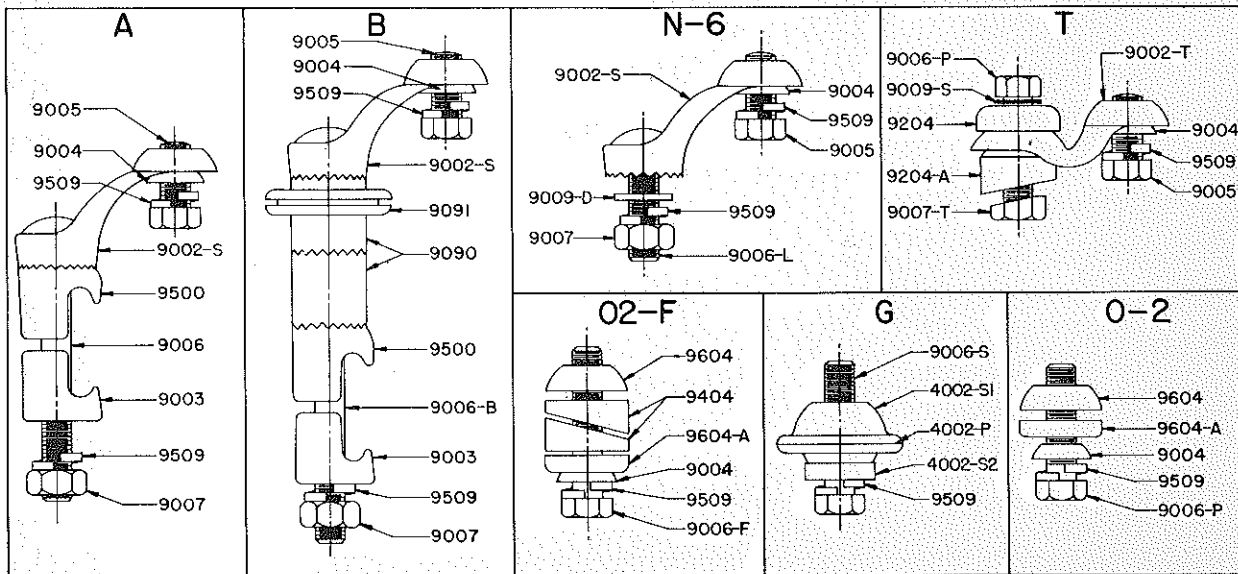


Model "C" Flush Mounting Back-Up Light

STOCK NO. 480
 STOCK NO. 482



Current Universal Fog Light Brackets



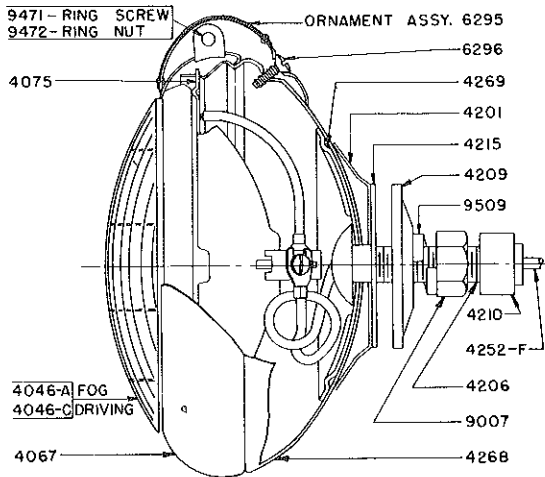
List Price for any single Fog Light Bracket is \$1.38 each. See Form No. 168 for Bracket Specifications by makes of vehicles.

All Prices herein are U. S. Prices and are subject to change without notice.

Flush Mounting Fog Light

Model "H-2" Fog Light

STOCK NO. 425 and 525



EFFECTIVE
OCTOBER 1, 1956

PARTS PRICES (U.S.A.)
PLEASE ORDER BY PART NUMBER,
WHENEVER POSSIBLE.

Prices Subject To Change Without Notice

On Wholesale orders for Parts Only, totaling less than \$3.00 wholesale, a Service Charge of 25¢ will be added.

GASKETS

Part No.	Description	List Price
9170	S3, Rubber Gasket18

BULBS

Bayonet Base type, single contact for Back-Up Lights		
6046	6-8 Volt, 32 C.P., Bulb No. 113335
6046-C	12-16 Volt, 32 C.P., Bulb No. 114341
Prefocused type, single contact, for Model S3 and H Fog Lights		
9146-A	6-8 Volt, 50 C.P., Bulb No. 150390
9146-C	12-16 Volt, 32 C.P., Bulb No. 132785
9146-D	12-16 Volt, 50 C.P., Bulb No. 1507	1.25
9646	6 Volt, 32 C.P., Bulb No. 120975

Part No.	Description	List Price
SEALED BEAM LAMPS		
4046-B	6-8 Volt, 25 Watt, Crystal, for H & H1 B.U. Light—GE No. 4510	2.50
4046-C	6-8 Volt, 35 Watt, Crystal for H & H1 Driving—GE No. 4015	2.50
4046-C-12	12-16 Volt, 35 Watt, Crystal for H & H1 Driving—GE No. 4415-C	2.60
4046-F	6-8 Volt, 35 Watt, Amber for H & H1 Fog Light—GE No. 4015-A	2.75
4046-F-12	12-16 Volt, 35 Watt, Amber for H & H1 Fog Light—GE No. 4415-A	2.85
4046-R	6-8 Volt, 25 Watt, Red for H & H1 Lights—GE No. 4510-R	4.25
4046-R-12	12-16 Volt, 18 Watt, Red for H & H1 Lights—GE No. 4414-R	4.50
6446	6 Volt, 30 Watt, for AG Deck Light—GE No. 4535	2.70
6446-A	12 Volt, 30 Watt, for AG Deck Light—GE No. 4435	3.25
9446-C	12-16 Volt, 35 Watt, Crystal for Models F1, S3—GE No. 4412	2.60
9446-F	12-16 Volt, 35 Watt, Amber for Models F1, S3—GE No. 4412-A	2.85
9646-C	6-8 Volt, 35 Watt, Crystal for Models F1, S3—GE No. 4012	2.50
9646-F	6-8 Volt, 35 Watt, Amber for Models F1, S3—GE No. 4012-A	2.75
9646-R	6 Volt, RED, 25 Watt, for Models S3, F1—GE No. 4013-R (No. 3 Warning)	4.30
9646-R-12	12 Volt RED, 35 Watt, for Models 3X (Warning) F1, S3—GE No. 4413-R	4.45

LENSES

PRISM TYPE

4865	Lens for Model C Back-up Lamp33
For Models S3		
9165-A	Amber Lens—5 ⁷ / ₈ " Diameter89
9165-B	Blue Lens—5 ⁷ / ₈ " Diameter	2.44
9165-C	Crystal Lens—5 ⁷ / ₈ " Diameter	1.11
9165-G	Green Lens—5 ⁷ / ₈ " Diameter	2.44
9165-R	Red Lens—5 ⁷ / ₈ " Diameter	2.56

FIRED CERAMIC COLORED LENSES WITH WHITE LETTERING

For Models S3		
6061-BA	Blue Lens, with "CROSS and AMBULANCE" 5 ¹ / ₈ " Diameter	3.67
6061-RP	Red Lens, with "POLICE", 5 ¹ / ₈ " Diam.	3.67
6061-RS	Red Lens, with "SHERIFF", 5 ¹ / ₈ " Diam.	3.67

PARTS LIST CONTINUED ON PAGE 4

