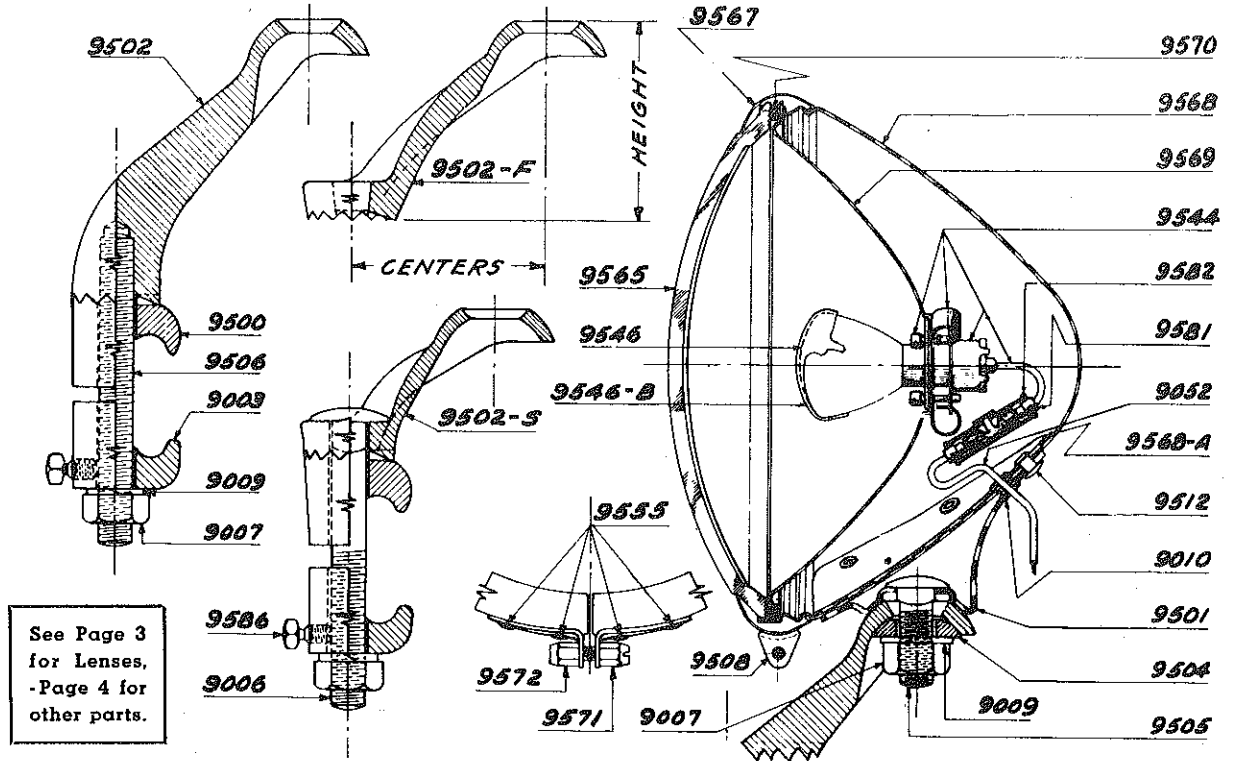
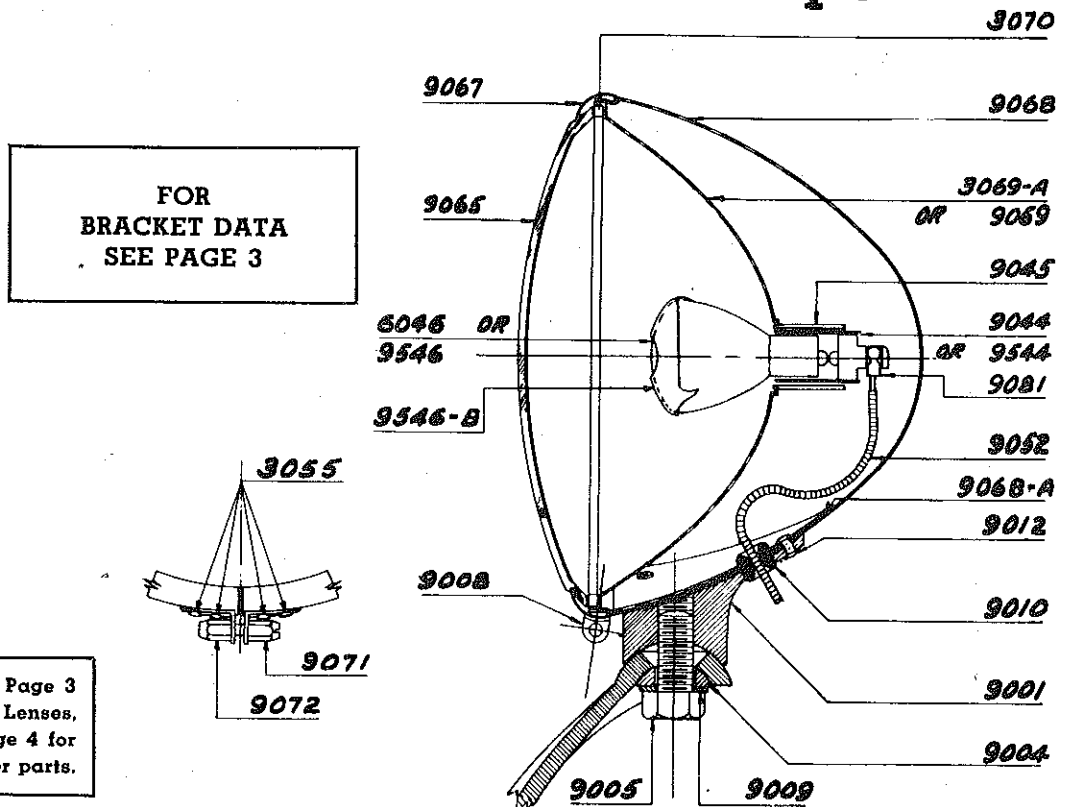


# Super Road Lamps—Stock No. 700



# DeLuxe Road Lamps

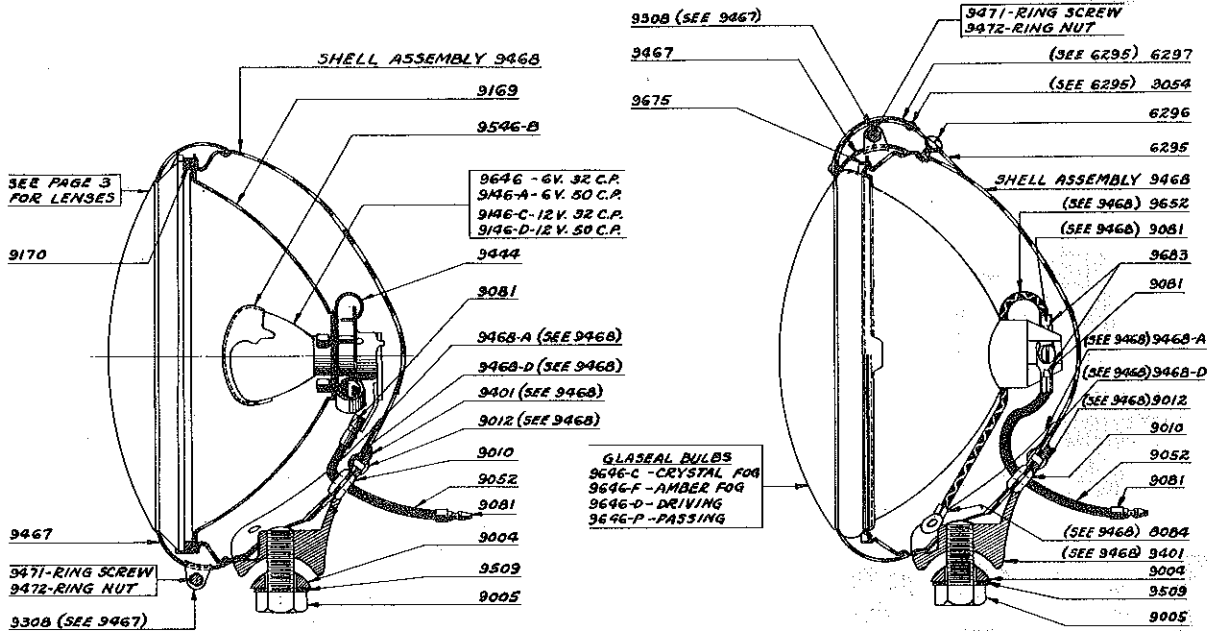


UNITY MANUFACTURING CO., 2909 Indiana Ave., CHICAGO 16, ILL.

# Model S-3 and S-7 - Fog, Driving and Passing Lights

STOCK NOS. 300, 400 and 500

Model S-4 identical, except uses No. 9668 Shell Assembly



ASSEMBLY USING UNITY REFLECTOR, LENS, GASKET & PREFOCUSED BULB

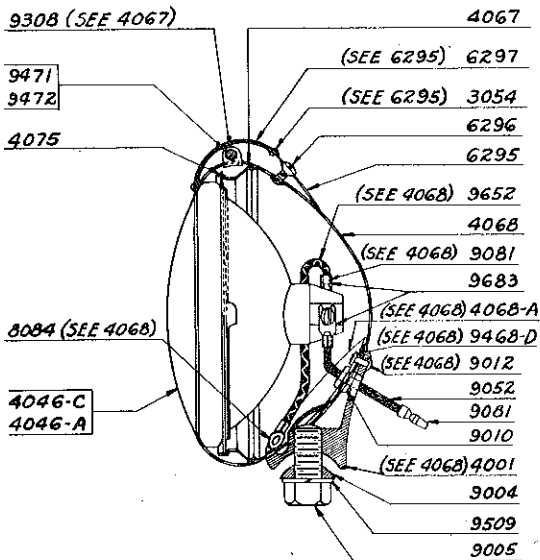
ASSEMBLY USING GLASEAL BULBS ALSO ILLUSTRATES ORNAMENT-NAME PLATE PART NUMBERS

## Model "H" - Fog Light

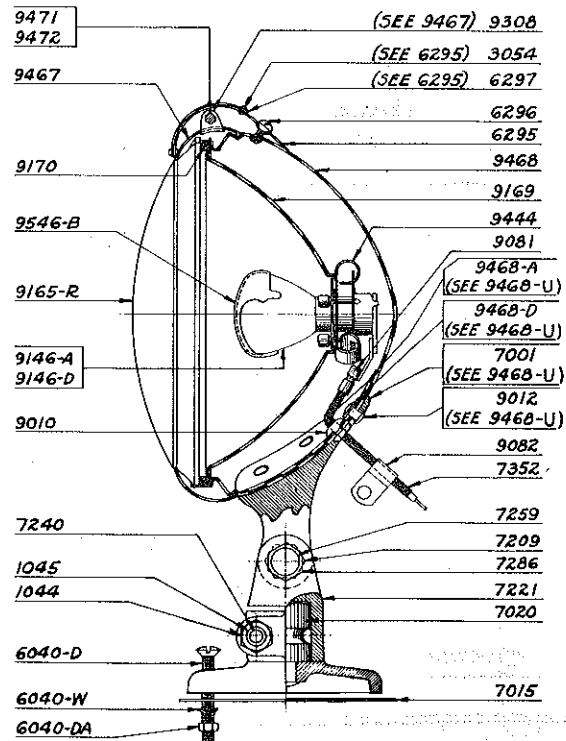
STOCK NO. 420

## Model "H" - Back-Up Light

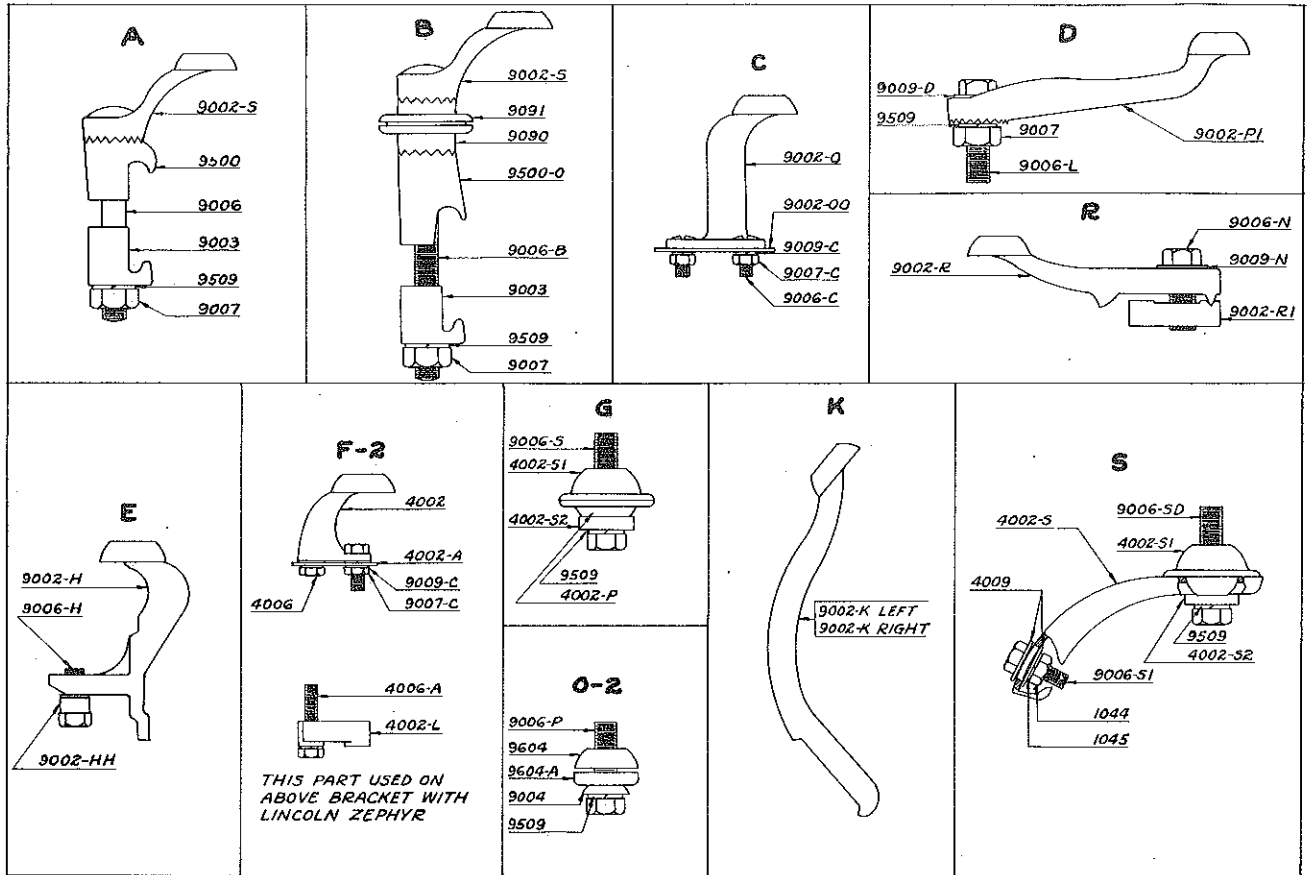
STOCK NO. 430



## No. 3 Universal Warning Light



# Special Fog Light Brackets



## LENSES

Part No.	For Models S-3 & S-4	List
6061	Clear Lens (Spotlight)—5 1/8" Dia.	.58
6061-BA	Blue Lens, with "CROSS" and "AMBULANCE" in White	2.30
6061-F	Clear Ruby Lens, with "FIRE" in White	2.30
6061-R	Clear Ruby Lens—5 1/8" Diameter	2.30
6061-RHP	Clear Ruby Lens with "HIGHWAY PATROL" on inside face—5 1/8" Diameter	4.14
6061-RP	Clear Ruby Lens with "POLICE" sandblasted on inside face—5 1/8"	4.14
6061-RPS	Clear Ruby Lens, with "POLICE STOP" on inside face—5 1/8" diam.	4.14
6061-RS	Clear Ruby Lens with "SHERIFF" sandblasted on inside face—5 1/8"	4.14
9165	Amber Prism Lens—5 7/8" Dia.	1.04
9165-B	Blue Prism Lens—5 7/8" Diameter	1.04
9165-C	Crystal Prism Lens—5 7/8" Dia.	1.04
9165-G	Green Prism Lens—5 7/8" Diameter	1.04
9165-R	Red Prism Lens—5 7/8" Diameter	1.04
9165-RMP	Red Lens with MP in black on inside of lens.	2.30
9165-T	Two-tone Amber-Crystal Prism Lens—5 7/8" Diameter	1.04

## For DeLuxe & Super 6 1/2" Models

6065	Clear Lens (Spotlight)—6 1/4" Dia.	.58
6065-R	Clear Ruby Lens—6 1/4" Diameter	2.30
6065-RP	Clear Ruby, with "POLICE" sandblasted on inside face of lens—6 1/4"	4.14
6065-RS	Clear Ruby, with "SHERIFF" sandblasted on inside face of lens 6 1/4" Diameter	4.14
9065	Amber Prism Lens—6 1/8" Dia.	1.04
9065-B	Blue Prism Lens—6 1/8" Diameter	1.04
9065-C	Crystal Prism Lens—6 1/8" Dia.	1.04
9065-G	Green Prism Lens—6 1/8" Diameter	1.04
9065-R	Red Prism Lens—6 1/8" Diameter	1.04

## LENSES

Part No.	For Super 7" Models	List
9565	Amber Prism Lens—6 3/4" Dia.	1.04
9565-B	Blue Prism Lens—6 3/4" Diameter	1.04
9565-C	Crystal Prism Lens—6 3/4" Dia.	1.04
9565-G	Green Prism Lens—3/4" Diameter	1.04
9565-R	Red Prism Lens—6 3/4" Diameter	1.04
9565-RC	Clear Ruby Lens—6 3/4" Diameter	2.30
9565-RP	Clear Ruby, with "POLICE" sandblasted on side face of lens—6 3/4"	4.14
9565-S	Clear Lens—6 3/4" Diameter	1.04
9565-T	Two-tone Amber-Crystal Prism Lens—6 3/4" Diameter	1.04

## FLASHER UNITS

9017	Flasher Unit, 6 Volt, 5 Amp. cap. for 50 C. P. or 30 W. bulbs.	1.75
9017-A	Flasher Unit, 12 Volt, 5 Amp. cap. for 50 C. P. or 30 W. bulbs.	1.75

## SWITCHES

4053-BU	Switch for Back-Up Light	1.38
9053	Switch for Single Lamp	1.04
9553	Switch, Fused 3-Pole, for Pair Lamps	1.38

## COMPLETE BRACKET ASSEMBLY

Single Bracket for any Unity Light listed hereon, ea. 1.38  
See Form No. 168 for Bracket Specifications

Part No.	List	Part No.	List
3069-A	Reflector, substitute No. 6369 & 9444	9082	Wire Clamp .35
3070	Gasket .....\$0.23	9083	Open end terminal......14
4002	Bracket Arm .....1.38	9084	Round hole terminal......14
4002-A	Reinforcing Plate ..... .17	9090	Clamp Extension Bushing......23
4002-L	Bracket Adapter ..... .29	9091	Rubber Grommet for "B" Bracket .21
4002-P	Bracket Washer ..... .46	9146	Use Bulb No. 9646.....
4002-S	Bracket Arm.....1.38	**9146-A	6-8 V., 50 C.P. Bulb, Mazda 1503 .35 net
4002-S1	Bracket Washer ..... .46	**9146-C	12-16 Volt, 32 C.P. Bulb, Mazda 1327 ..... .45 net
4002-S2	Bracket Washer ..... .46	**9146-D	12-16 vt., 50 C.P. Bulb, Mazda 1507 .55 net
4046	Glaseal Amber Bulb, No. 4015-A.. 1.47 net	9169	Reflector .....2.07
4046-C	Glaseal Crystal Bulb, No. 4015..... 1.22 net	9170	Gasket ..... .23
4067	Ring Assembly, Incl. 9471-2..... 1.61	9382	"Y" Connector ..... .23
4068	Shell Assembly, Incl. 4001, etc..... 4.14	9444	Bulb Socket, for pre-focused bulbs .58
4075	Adaptor Locating Ring..... .69	9467	Ring Assembly incl. Part 9471-2.. 1.38
*6046	6-8 V., 32 C.P. Bulb, Mazda 1133 .21 net	9468	Shell Assembly incl. 9401, etc..... 4.14
*6046-A	6-8 V., 50 C.P. Bulb, Mazda 1183 .27 net	9468-U	Shell Assembly incl. 7001, etc..... 6.00
*6046-C	12-16 V., 32 C.P. B'b, Mazda 1143 .33 net	9471-2	Ring Screw & Nut, 8-32x $\frac{7}{16}$ "..... .14
*6046-D	12-16 V., 50 C.P. B'b, Mazda 1195 .45 net	9500	Upper Bracket Clamp......29
*6046-E	32 Volt, 50 C.P. Bulb (R.P. 11).. 1.20 net	9500-A	Upper Bracket Clamp with $\frac{1}{2}$ " opening for thick Bars (Pairs with Part No. 9003-A) ..... .29
6295	Shell ornament, complete with Unity name plate ..... .92	9500-O	Long Upper Bracket Clamp......29
6296	Shell ornament attaching screw..... .06	9502	Bracket Arm— $3\frac{3}{4}$ " Height, $2\frac{1}{2}$ " between hole centers......69
7015	Gasket ..... .23	9502-F	Bracket Arm— $2\frac{3}{4}$ " Height, $2\frac{5}{8}$ " between hole centers......69
7020	Pivot ..... .58	9502-S	Bracket Arm—2" Height, 2" between hole centers......69
7221	Pivot Housing ..... 1.15	9504	Bracket Washer ..... .17
9002-A	Bracket Arm— $3\frac{1}{8}$ " Height— $2\frac{7}{8}$ " between hole centers ..... .58	9504-A	Shell Bracket Adaptor Washer..... .23
9002-F	Bracket Arm— $2\frac{3}{8}$ " Height— $2\frac{1}{2}$ " between hole centers ..... .50	9506	Bracket Stud ..... .23
9002-H	"E" Bracket Arm ..... 1.38	9506-A	Long Bracket Stud—5" ..... .23
9002-HH	Bushing ..... .23	9544	Use Part No. 9444.
9002-KL	Left "K" Bracket Arm..... 1.38	**9546	6-8 V., 32 C.P. Bulb—Mazda 2330 .33 net
9002-KR	Right "K" Bracket Arm..... 1.38	**9546-A	6-8 V., 50 C.P. Bulb—Mazda 2530 .45 net
9002-N	"F" Bracket Arm—Level Height — $4\frac{1}{8}$ " between hole centers..... .58	9546-B	Bulb Shield......23
9002-O	"C" Bracket Arm..... 1.38	**9546-C	12-16 V., 32 C.P. B'b—Mazda 2336 .48 net
9002-OO	"C" Bracket Reinforcing Plate..... .14	**9546-D	12-16 V., 50 C.P. B'b—Mazda 2536 .65 net
9002-O1	"O" Bracket Arm..... 1.38	9567	Ring Assembly, including 9571-2.. 1.73
9002-P1	"D" Bracket Arm..... 1.38	9568	Shell Assem., incl. 9501 & 9568-A 4.14
9002-R	Bracket Arm ..... 1.38	9570	Gasket ..... .23
9002-R1	Bracket Clamp ..... .35	9571-2	Ring Screw & Nut 10-32x $\frac{3}{4}$ "..... .14
9002-S	Bracket Arm— $1\frac{3}{4}$ " Height—2" between hole centers......58	9582	Bakelite Connector ..... .17
9003	Bottom Bracket Clamp......29	9604	Bracket Washer ..... .35
9003-A	Bottom Bracket Clamp with $\frac{1}{2}$ " opening for thick bars (Pairs with Part No. 9500-A)......29	9604-A	Bracket Washer ..... .35
9004	Bracket Cup Washer......17	**9646	6-8 Vt., 32 C.P. Bulb, Mazda 1209 .30 net
9006-HH	"E" Bracket Bushing......14	9646-C	Glaseal Crystal Fog Bulb, Mazda No. 4012..... 1.22 net
9010	Rubber Grommet ..... .07	9646-F	Glaseal Amber Fog Bulb, Mazda No. 4012-A..... 1.47 net
9052	Wire Assembly ..... .69	9675	Adaptor Locating Ring, including Ground Wire #9652 and Ter- minals No. 9083 & Two No. 9683 .69
9067	Ring, including 9071-2..... 1.61	9683	Glaseal Bulb Terminal......17
9068	Shell Assembly, including 9001 & 9068-A ..... 4.14		
9069	Reflector, substitute No. 6369 & 9444		
9071-2	Ring Screw & Nut, 8-32x $\frac{1}{16}$ "..... .14		

On Jobber orders for Parts Only, totaling less than \$3.00 wholesale, a service charge of 25¢ will be added.

→ Standard Bolts, Screws, Nuts and Washers are not listed as they are readily available at Jobbers. ←

PLEASE ORDER BY PART NUMBER

\*—Bayonet Base Bulbs. \*\*—Prefocused Base Bulbs.