

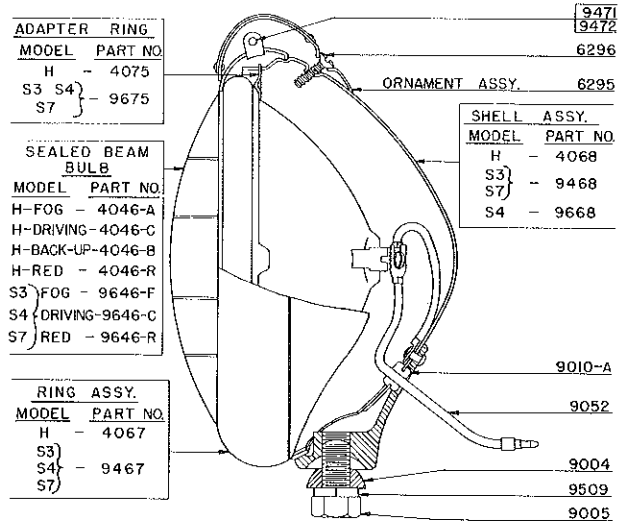
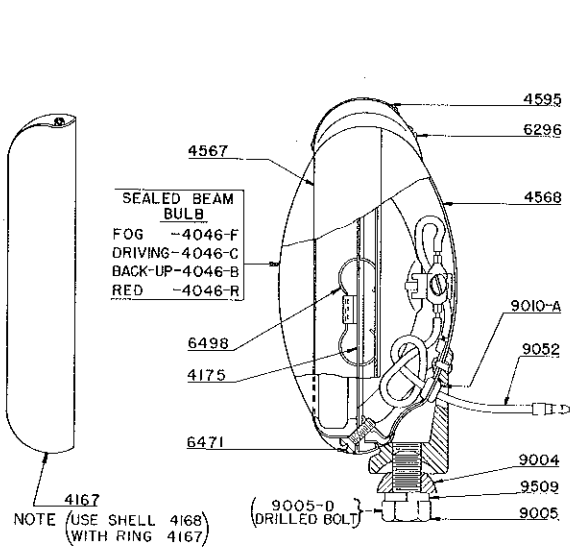
Bumper & Pan Mounting Fog, Driving, Back-Up Lights

MODEL H1
SHOWN BELOW

STOCK NO. 420

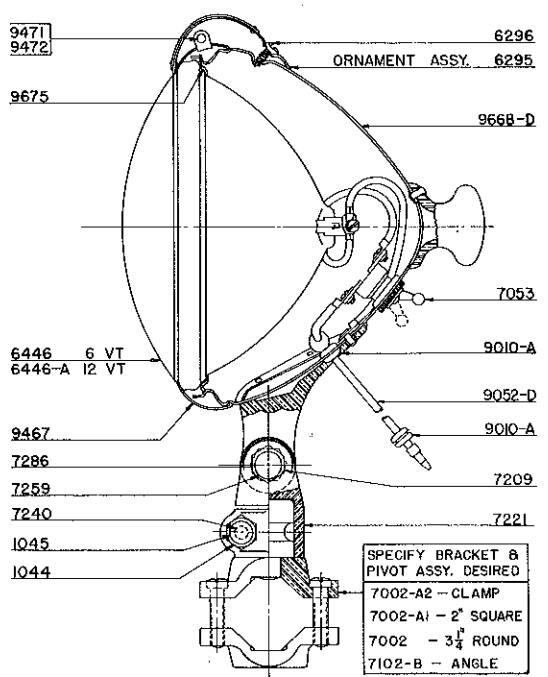
MODELS H, S3, S4, S7
SHOWN BELOW

STOCK NOS. 300-400-420-430

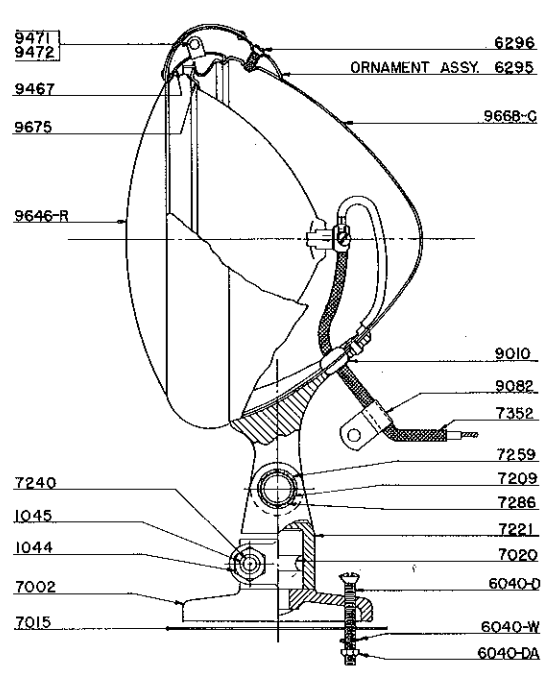


SEALED BEAM ASSEMBLY SHOWN ABOVE
MODELS PRECEDING SEALED BEAM TYPE ARE SAME AS ABOVE
EXCEPT FOR SEPARATE LENS, REFLECTOR, GASKET, BULB ASSEMBLY.
SEE PAGE 3 FOR GASKETS-BULBS-LENSES.
WHERE NECESSARY HAVE REFLECTOR RESILVERED LOCALLY

"AG" Sealed Beam Deck Light



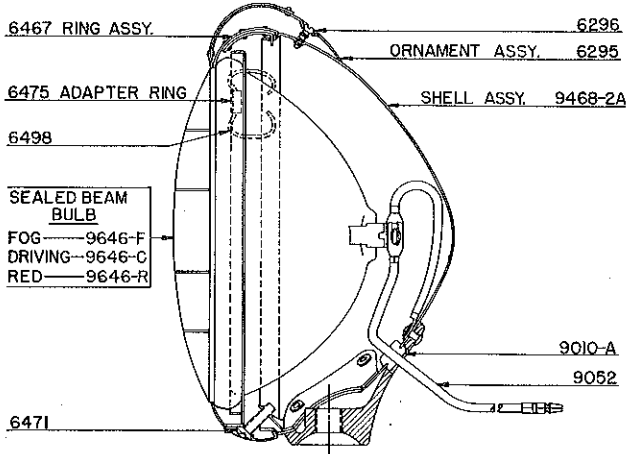
No. 3 Universal Warning Light



UNITY MANUFACTURING CO., 2909 Indiana Ave., CHICAGO 16, ILL.

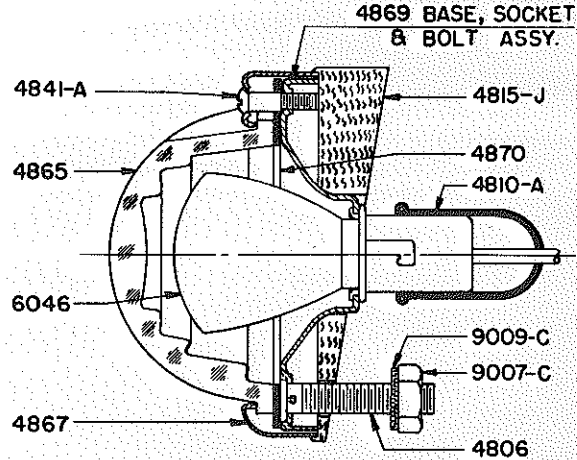
Model F-1 Fog Light

STOCK NOS. 300-400

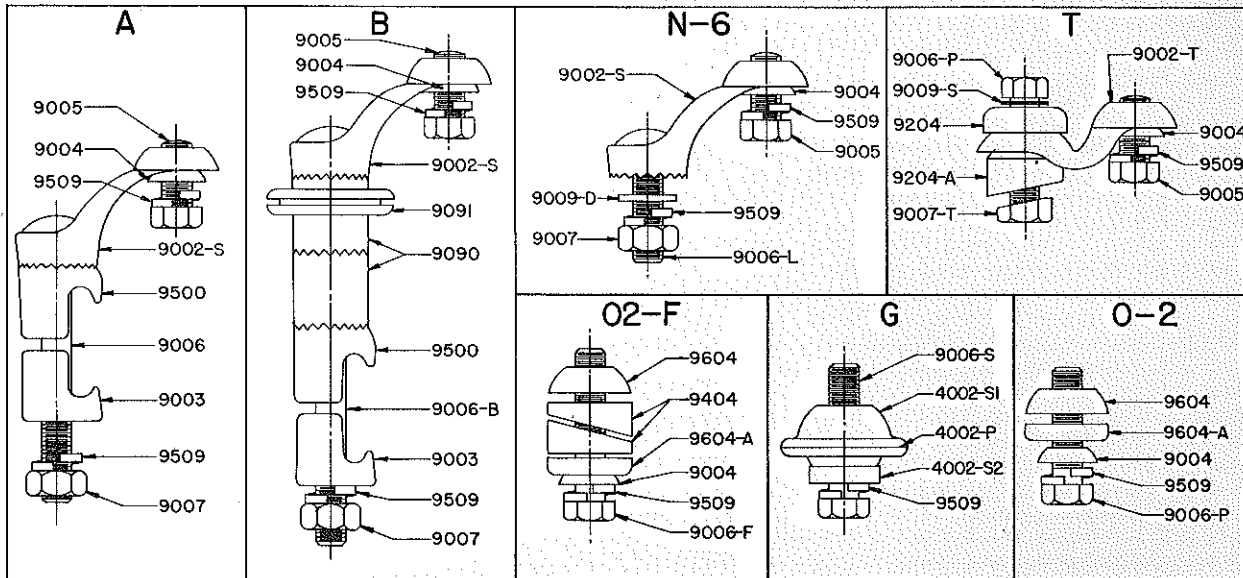


Model "C" Flush Mounting Back-Up Light

STOCK NO. 480



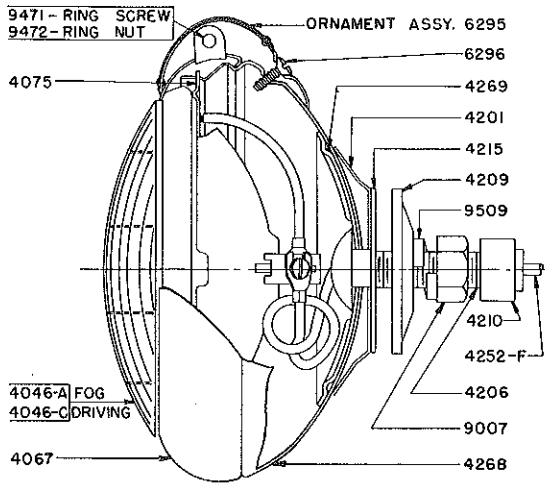
Current Universal Fog Light Brackets



List Price for any single Fog Light Bracket is \$1.38 each. See Form No. 168 for Bracket Specifications by makes of vehicles.

All Prices herein are U. S. Prices and are subject to change without notice.

Flush Mounting Fog Light Model "H-2" Fog Light STOCK NO. 425



EFFECTIVE MARCH 1, 1952

**PARTS PRICES (U.S.A.)
PLEASE ORDER BY PART NUMBER,
WHENEVER POSSIBLE.**

Prices Subject To Change Without Notice

On Wholesale orders for Parts Only, totaling less than \$3.00 wholesale, a Service Charge of 25¢ will be added.

Unity Deluxe Model and Super Model Fog Lights are now obsolete. Repair parts are no longer available, except Gaskets and Lenses, listed hereon. Deluxe and Super Models cannot be converted to Sealed Beam Type.

GASKETS

Part No.	Description	List Price
3070	Synthetic Rubber Gasket, 1/8" thick for Deluxe Model Fog Lights, 19" long, cut to fit light.....	.23
6370	Synthetic Rubber Gasket, 7/32" x 5/32" for Model S3, S4, S7 Fog Lights, 19 1/2" long, cut to fit light.....	.23

Part No.	Description	List Price
BULBS		
Bayonet Base type, for single contact Deluxe Model Fog Lights		
1046	6-8 Volt, 21 C.P., Bulb No. 1129...	.25
6046	6-8 Volt, 32 C.P., Bulb No. 1133...	.27
6046-A	6-8 Volt, 50 C.P., Bulb No. 1183...	.31
6046-C	12-16 Volt, 32 C.P., Bulb No. 1143	.37
6046-D	12-16 Volt, 50 C.P., Bulb No. 1195	.55
Prefocused type, single contact, for Model S3, S4, S7 & H Fog Lights		
9146-A	6-8 Volt, 50 C.P., Bulb No. 1503...	.50
9146-C	12-16 Volt, 32 C.P., Bulb No. 1327	.62
9146-D	12-16 Volt, 50 C.P., Bulb No. 1507	.72
Prefocused type, double contact, for Super Model Fog Lights		
9546	6-8 Volt, 32 C.P., Bulb No. 2330...	.43
9546-A	6-8 Volt, 50 C.P., Bulb No. 2530...	.62
9546-C	12-16 Volt, 32 C.P., Bulb No. 2336	.63
9546-D	12-16 Volt, 50 C.P., Bulb No. 2536	.85
Sealed Beam Type		
4046-B	6-8 Volt, 25 Watt, Crystal, for H & HI B.U. Light—GE No. 4510...	1.70
4046-C	6-8 Volt, 35 Watt, Crystal, for H & HI Driving—GE No. 4015.....	1.45
4046-F	6-8 Volt, 35 Watt, Amber, for H & HI Fog—GE No. 4015-A.....	1.65
4046-R	Red 6 Volt, 25 Watt, for H & HI Lights—GE No. 4510-R.....	2.95
6446	6 Volt, 30 Watt, for AG Deck Lt.	1.80
6446-A	12 Volt, 30 Watt, for AG Deck Lt.	2.35
9446-C	12-16 Volt, 35 Watt, Crystal, for Models S3, 4, 7—GE No. 4412.....	2.00
9446-F	12-16 Volt, 35 Watt, Amber, for Models S3, 4, 7—GE No. 4412-A...	2.20
9646-C	6-8 Volt, 35 Watt, Crystal, for Models S3, 4, 7—GE No. 4012.....	1.50
9646-F	6-8 Volt, 35 Watt, Amber, for Models S3, 4, 7—GE No. 4012-A...	1.70
9646-R	Red 6 Volt, 25 Watt, for S3, 4, 7 Lights—GE No. 4013-R.....	2.70
LENSES		
PRISM TYPE		
4765	Lens for Model B Back-up Light...	.70
4865	Lens for Model C Back-up Lamp...	.70
For Models S3, 4 & 7		
9165	Amber Lens—5 7/8" Diameter.....	1.04
9165-B	Blue Lens—5 7/8" Diameter.....	2.00
9165-C	Crystal Lens—5 7/8" Diameter.....	1.04
9165-G	Green Lens—5 7/8" Diameter.....	2.00
9165-P	Purple Lens—5 7/8" Diameter.....	2.00
9165-R	Red Lens—5 7/8" Diameter.....	2.00
9165-T	Two-tone, Amber & Crystal Lens—5 7/8" Diameter.....	1.04
For Deluxe & Super 6 1/2" Models		
9065	Amber Lens—6 1/8" Diameter.....	1.04
9065-B	Blue Lens—6 1/8" Diameter.....	1.04
9065-G	Green Lens—6 1/8" Diameter.....	1.04
For Super 7" Models		
9565	Amber Lens—6 3/4" Diameter.....	1.04
9565-C	Crystal Lens—6 3/4" Diameter.....	1.04
9565-G	Green Lens—6 3/4" Diameter.....	1.04
9565-R	Red Lens—6 3/4" Diameter.....	1.04

PARTS LIST CONTINUED ON PAGE 4

Part No.	Description	List Price
CLEAR RUBY LENSES		
6061-R	Ruby Lens, for S3, 4 & 7	4.00
6065-R	Ruby Lens, for Deluxe & Super 6 1/2"	4.00
9565-RP	Ruby Lens, with "POLICE", for Super 7"	4.00

FIRED CERAMIC COLORED LENSES WITH WHITE LETTERING		
For Models S3, 4 & 7		
6061-BA	Blue Lens, with "CROSS & AMBULANCE" 5 1/8" Diam.	2.30
6061-RP	Red Lens, with "POLICE", 5 1/8" Diam.	2.30
6061-RS	Red Lens, with "SHERIFF", 5 1/8" Diam.	2.30

FLASHER UNITS		
9017	Flasher Unit, 6 Volt, 5 Amp. cap. for 50 C.P. or 30-35 W. bulbs	1.70
9017-A	Flasher Unit, 12 Volt, 5 Amp. cap. for 50 C.P. or 30-35 W. bulbs	2.00

SWITCHES		
4053-BU	Switch for Back-Up Light	1.38
4053-W	Switch for No. 3 Universal Warning Light	1.38
4853-C1	Automatic Switch for B U Lite	2.00
7053	Toggle Switch for Deck Light	1.05
9553	Switch, Fused 3-Pole, for Pair Lamps	1.38

4002-P	Bracket Washer	.46
4002-S1	Bracket Washer	.46
4002-S2	Bracket Washer	.46
4067	Ring Assembly, Incl. 9471-2	1.38
4068	Shell Assembly	4.14
4075	Adapter Ring, Incl. Ground Wire and No. 9683 Terminal	1.35
4102-A	Bracket for 1949 Ford	1.38
4102-B	Bracket for 1950 Ford	1.38
4102-B1	Reinforcing Plate for 4102-B	.17
4167	H1 Ring Assembly, incl. #4195 Ornament	1.70
4168	Shell Assembly	3.00
4175	H1 Adapter Ring	.70
4201	Outside Bracket Washer	.50
4206	Drilled Carriage Bolt, 7/8" USS x 1 3/4"	.50
4209	Bracket Washer	.40
4210	Rubber Cap	.20
4215	Bracket Gasket	.20
4252-F	Seine Twine Cable, 6'	.50
4268	Shell Assembly	3.00
4269	Inside Bracket Washer	.50
4567	H1 Ring, less ornament	1.38

Part No.	Description	List Price
4568	H1 Shell Assembly	3.00
4595	H1 Shell Ornament, complete with Unity Name Plate	.92
4806	Attaching Screw	.12
4810-A	Rubber Boot	.15
4815-J	Angle Washer	.25
4841-A	Ring Screw	.12
4867	Model "C" Ring	1.00
4869	Base, Socket & Bolt Assembly	1.00
4870	Gasket	.15
6295	Shell ornament, complete with Unity name plate	.92
6296	Shell ornament attaching screw	.06
6441	Screw, 4-36 x 1 1/8" Oval Head	.06
6467-F1	Ring Assembly	1.70
6471	Ring Screw	.06
6475-F1	Adapter Ring	.70
6498	Adapter Spring	.06
7002	3 1/4" Round Bracket	2.90
7002-A1	2" Square Bracket	2.90
7002-A2	Clamp Bracket	2.90
7015	Rubber Gasket	.20
7020	Pivot	.58
7102-B	Angle Bracket	2.90
7221	Pivot Housing	1.15
7352	Radio Shielded Cable—90"	1.00
9002-S	Bracket Arm—1 3/4" Height—2" between hole centers	.58
9002-T	"T" Bracket Arm	.10
9003	Bottom Bracket Clamp	.29
9003-A	Bottom Bracket Clamp with 1/2" opening for thick bars (Pairs with Part No. 9500-A)	.29
9004	Bracket Cup Washer	.17
9005	Cap Screw 7/8"—14 x 1	.17
9005-D	Drilled Cap Screw—7/8-14 x 1"	.40
9006	Carriage Bolt, 7/8" USS x 4"	.16
9006-B	Carriage Bolt, 7/8" USS x 6"	.20
9006-L	Carriage Bolt, 7/8" USS x 1 3/4"	.08
9006-P	Cap Screw, 7/8" USS x 1 3/4"	.08
9006-S	Cap Screw, 7/8" USS x 2"	.08
9007	Hex Nut, 7/8" USS	.06
9007-T	Milled Hex Nut 7/8" USS	.10
9009-D	Special Flat Washer, 7/8" I. D.	.04
9009-S	7/8" Internal Lock Washer	.04
9010-A	Rubber Grommet	.07
9052	Wire Assembly	.69
9052-C	Wire Assy.—B-U Lights	1.50
9082	Wire Clamp	.35
9083	Open end terminal	.14
9084	Round hole terminal	.14
9090	Clamp Extension Bushing	.23
9091	Rubber Grommet for "B" Bracket	.21
9169	Reflector	2.07
9204	"T" Bracket Mounting Washer	.40
9204-A	"T" Bracket Mounting Bushing	.40
9382	"Y" Connector	.23
9404	"O2-F" Bracket Washer	.40
9444	Bulb Socket, for pre-focused bulbs	.58
9467	Ring Assembly Incl. Part 9471-2	1.38
9468	Shell Assembly	4.14
9468-D	Shell Assembly Deck Light	6.00
9468-2A	F1 Shell Assembly	4.14
9471-2	Ring Screw & Nut, 8-32 x 1 1/8"	.14
9500	Upper Bracket Clamp	.29
9500-A	Upper Bracket Clamp with 1/2" opening for thick Bars (Pairs with Part No. 9003-A)	.29
9509	Lock Washer 7/8"	.03
9582	Bakelite Connector	.17
9604	Bracket Washer	.35
9604-A	Bracket Washer	.35
9668-C	Shell Assy. for Warning Light	6.90
9668-D	Shell Assy. for AG Deck Light	7.75
9675	Adapter Locating Ring, including Ground Wire and No. 9683 Terminal	1.35
9683	Glaseal Bulb Terminal	.17

UNITY MANUFACTURING CO., 2909 Indiana Ave., CHICAGO 16, ILL.