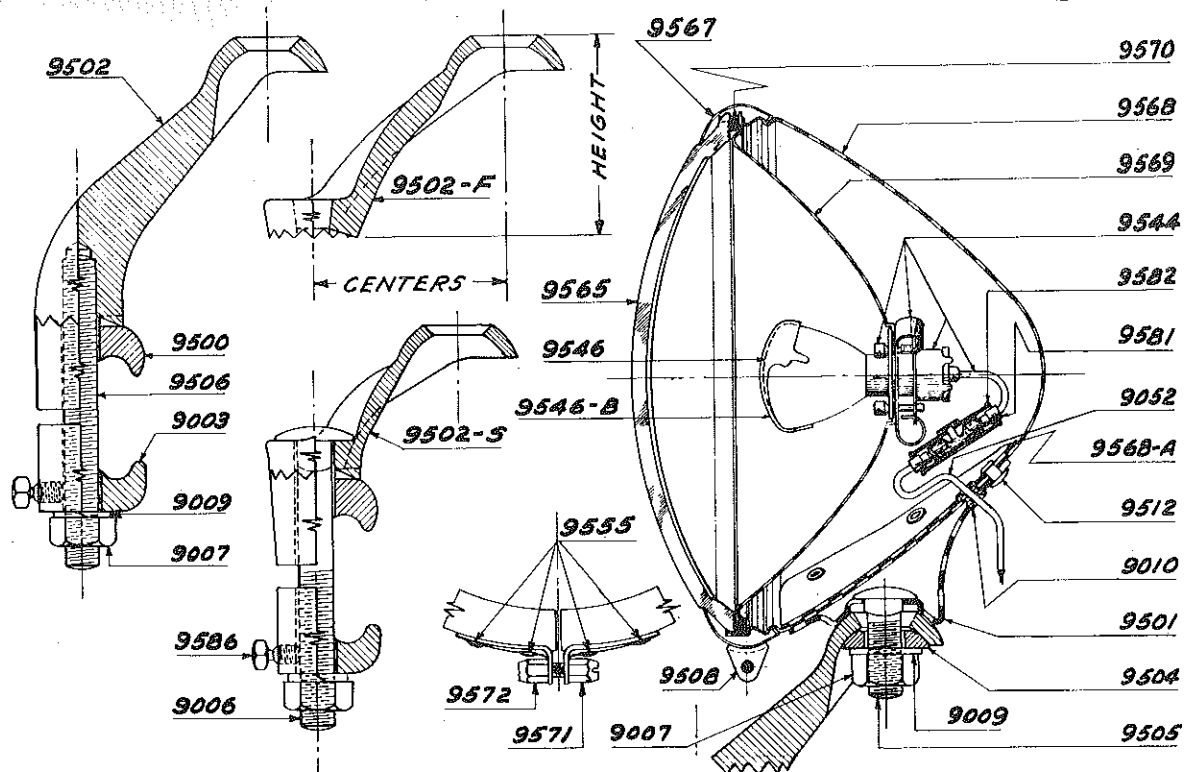


Parts Prices (U.S.A.) for Super Road Lamps



Part No.	Description	List Price
9003	Bottom Bracket Clamp	.18
9003-A	Bottom Bracket Clamp with 1/2" opening for thick bars (Pairs with Part No. 9500-A)	.18
9006	Bracket Carriage Bolt—7/16"x4" U.S.S.	.15
9007	Nut for Bolt No. 9006 and Stud No. 9506	.05
9009	Lock Washer	.02
9010	Rubber Grommet	.05
9052	Wire Assembly	.60
9382	"Y" Connector	.15
9500	Upper Bracket Clamp	.18
9500-A	Upper Bracket Clamp with 1/2" opening for thick Bars (Pairs with Part No. 9003-A)	.18
9502	Bracket Arm—3 3/4" Height, 2 1/2" between hole centers	.40
9502-F	Bracket Arm—2 3/4" Height, 2 3/8" between hole centers	.40
9502-S	Bracket Arm—2 1/8" Height, 1 7/8" between hole centers	.40
9504	Bracket Washer	.12
9506	Bracket Stud	.15
	COMPLETE BRACKET ASSEMBLY	1.00
9544	Socket Assembly	.40
9546	6-8 Volt, 32 C.P. Bulb—Mazda 2330	.30 net
9546-A	6-8 Volt, 50 C.P. Bulb—Mazda 2520	.60 net
9546-C	12-16 V., 32 C.P. Bulb—Mazda 2336	.60 net
9546-D	12-16 V., 50 C.P. Bulb—Mazda 2526	.80 net
9546-B	Bulb Shield	.15
9565	Amber Prism Lens—6 3/4" Diameter	.75
9565-T	Two-tone Amber-Crystal Prism Lens 6 3/4" Diameter	.75
9565-B	Blue Prism Lens—6 3/4" Diameter	.75
9565-C	Crystal Prism Lens—6 3/4" Diameter	.75
9565-G	Green Prism Lens—6 3/4" Diameter	.75
9565-O	Orange (dark amber) Prism Lens 6 3/4" Diameter	.75
9565-R	Red Prism Lens—6 3/4" Diameter	.75
9565-RC	Clear Ruby Lens—6 3/4" Diameter	1.75
9565-RP	Clear Ruby, with "POLICE" sand-blasted on side face of lens—6 3/4"	3.00

Part No.	Description	List Price
9565-S	Clear Lens—6 3/4" Diameter	.75
9565-CA	Clear Amber Lens—6 3/4" Diameter	1.50
9567	Ring Assembly, including 9571-2	1.25
9568	Shell Assem., incl. 9501 & 9568-A	3.00
9569	Reflector	1.50
9570	Gasket	.17
9571-2	Ring Screw & Nut	.10
9582	Bakelite Connector	.10
9586	Theft-Proof Set Screw	.10
9053	Standard Switch	.75
9553	Switch, Fused, 3 Pole, for Pr. Lamps	1.00
9553-F	Fuse for Penna Switch	.10
9017	Flasher Unit, 6 Volt, 5 Ampere capacity	1.50
9017-A	Flasher Unit, 12 Volt, 5 Ampere capacity	1.50

SPECIAL PARTS FOR 6 1/2" SUPER ROAD LAMP

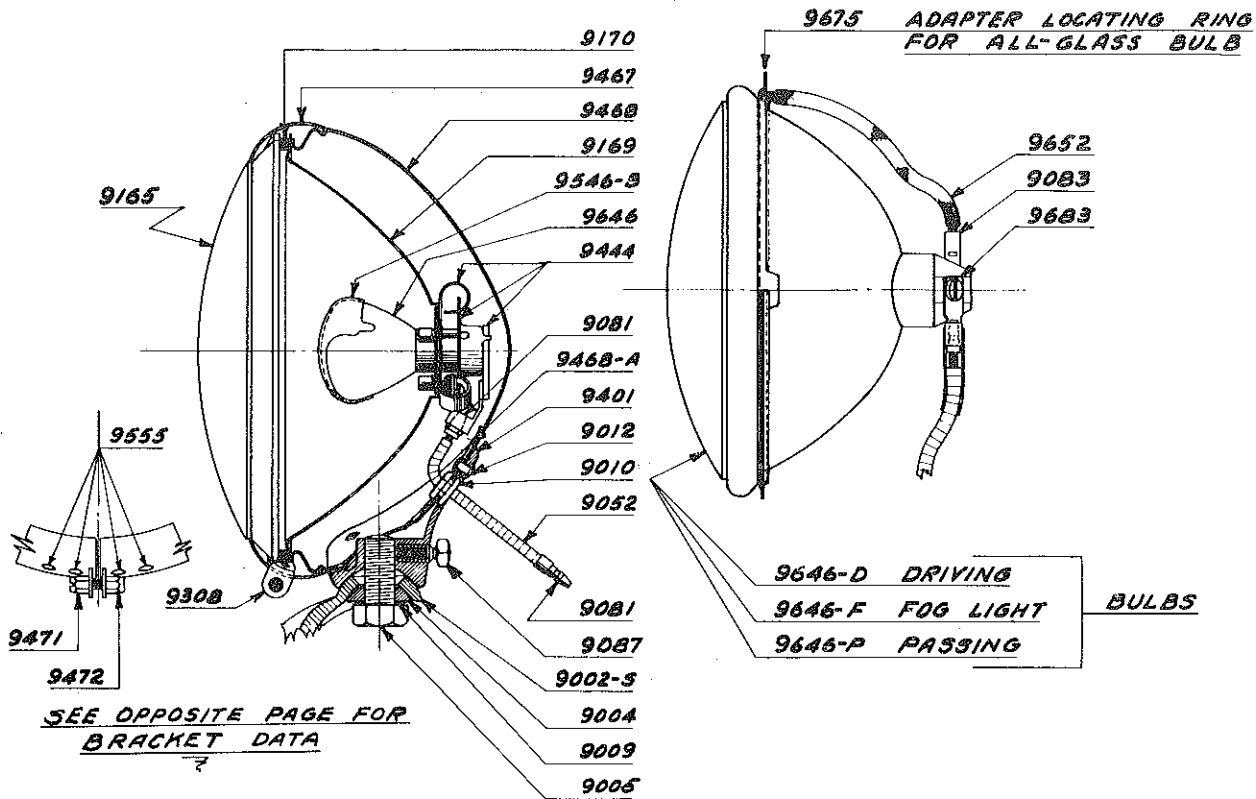
9002-S	Short Bracket Arm	.40
	(See S-4 Page for other Brackets)	
9005	Bracket Head Bolt—1/8"x1" U.S.S.	.12
9065	Amber Prism Lens—6 1/8" Diameter	.75
9065-B	Blue Prism Lens—6 1/8" Diameter	.75
9065-C	Crystal Prism Lens—6 1/8" Diameter	.75
9065-O	Orange Prism Lens—6 1/8" Diameter	.75
9065-R	Red Prism Lens—6 1/8" Diameter	.75
6065	Clear Lens (Spotlight)—6 1/4" Dia.	.40
6065-A	Clear Amber Lens—6 1/4" Diameter	1.10
6065-R	Clear Ruby Lens—6 1/4" Diameter	1.75
6065-RP	Clear Ruby, with "POLICE" sand-blasted on inside face of lens—6 1/4"	3.00
6065-RS	Clear Ruby, with "SHERIFF" sand-blasted on inside face of lens—6 1/4"	3.00
9069	Reflector	1.50
9267	Ring Assembly, including 9571-2	1.25
9269	Shell Assem., incl. 9201 & 9268-A	3.00
3070	Gasket	.17

NOTE—All other Parts of Super 7" ROAD LAMP fit the Super 6 1/2" ROAD LAMP.

On Jobber orders for PARTS only, totalling less than \$3.00 wholesale, a service charge of 25¢ will be added. PLEASE ORDER BY PART NUMBER — PRICES SUBJECT TO CHANGE WITHOUT NOTICE.

UNITY MANUFACTURING CO., 2909 Indiana Ave., CHICAGO, ILL.

Parts Prices (U.S.A.) for Model S-3 Road Lamp



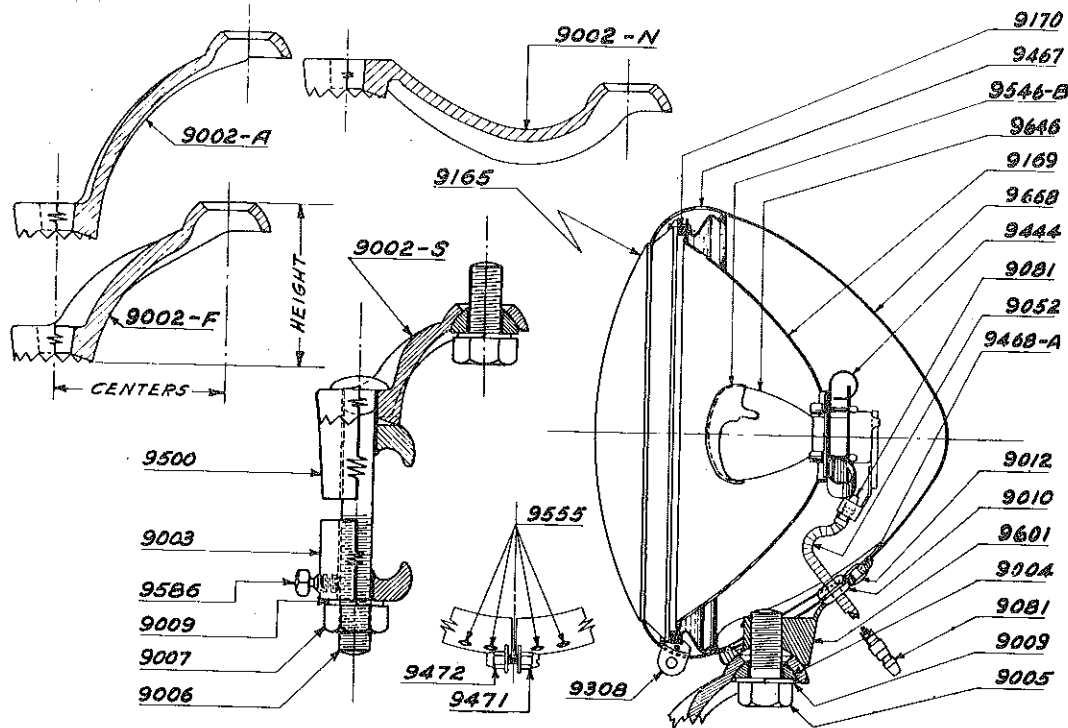
Part No.	Description	List
9002-A	Bracket Arm— $3\frac{1}{8}$ " Height— $2\frac{7}{8}$ " between hole centers.....	\$.40
9002-F	Bracket Arm— $2\frac{3}{8}$ " Height— $2\frac{1}{2}$ " between hole centers.....	.40
9002-S	Bracket Arm— $1\frac{3}{4}$ " Height— 2 " between hole centers.....	.40
9002-N	Bracket Arm—Level Height— $4\frac{1}{8}$ " between hole centers.....	.40
9003	Bottom Bracket Clamp.....	.18
9003-A	Bottom Bracket Clamp with $\frac{1}{2}$ " opening for thick bars (Pairs with Part No. 9500-A).....	.18
9004	Bracket Cup Washer.....	.12
9005	Bracket Head Bolt— $\frac{7}{8}$ " x 1 " U.S.S.....	.12
9006	Bracket Clamp Bolt— $\frac{7}{8}$ " x 4 " U.S.S.....	.12
9007	Nut for No. 9006 Bolt— $\frac{7}{8}$ " U.S.S.....	.05
9009	Lock Washer $\frac{7}{8}$ ".....	.02
	COMPLETE BRACKET ASSEMBLY	1.00
9010	Rubber Grommet.....	.05
9052	Wire Assembly.....	.60
9087	Break Off Screw— $\frac{1}{4}$ " x $\frac{1}{2}$ " Long.....	.02
9146	6-8 Volt, 32 C.P. Bulb, Mazda 1321.....	.30 net
9146-A	6-8 Volt, 50 C.P. Bulb, Mazda 1503.....	.55 net
9146-C	12-16 Volt, 32 C.P. Bulb, Mazda 1327.....	.70 net
9646	6-8 Volt, 30 Watt Bulb.....	.40 net
9646-D	Glaseal Driving Light Bulb, Mazda No. 4010.....	1.10 net
9646-P	Glaseal Passing Light Bulb, Mazda No. 4011.....	1.10 net
9165	Amber Prism Lens— $5\frac{7}{8}$ " Diameter.....	.75
9165-C	Crystal Prism Lens— $5\frac{7}{8}$ " Diameter.....	.75
9165-O	Orange Prism Lens— $5\frac{7}{8}$ " Diameter.....	.75

Part No.	Description	List
9165-R	Red Prism Lens— $5\frac{7}{8}$ " diameter.....	.75
9165-T	Two-tone Amber-Crystal Prism Lens— $5\frac{7}{8}$ " diameter.....	.75
6061	Clear Lens (Spotlight)— $5\frac{11}{8}$ " Dia.....	.40
6061-A	Clear Amber Lens— $5\frac{11}{8}$ " Diameter.....	1.10
6061-R	Clear Ruby Lens— $5\frac{11}{8}$ " Diameter.....	1.75
6061-RP	Clear Ruby Lens with "POLICE" sandblasted on inside face— $5\frac{11}{8}$ ".....	3.00
6061-RS	Clear Ruby Lens with "SHERIFF" sandblasted on inside face— $5\frac{11}{8}$ ".....	3.00
6061-RHP	Clear Ruby Lens with "HIGHWAY PATROL" sandblasted on inside face— $5\frac{11}{8}$ " Diameter.....	3.00
9169	Reflector.....	1.50
9170	Gasket.....	.17
9444	Bulb Socket.....	.40
9467	Ring Assembly incl. Part 9471-2.....	1.00
9468	Shell Assembly including Parts Nos. 9401 & 9468-A.....	3.00
9471-2	Ring Screw & Nut.....	.10
9500	Upper Bracket Clamp.....	.18
9500-A	Upper Bracket Clamp with $\frac{1}{2}$ " Opening for thick bars (Pairs with Part No. 9003-A).....	.18
9546-B	Bulb Shield.....	.15
9586	Break Off Screw— $\frac{1}{4}$ " x $\frac{3}{8}$ " Long.....	.02
9675	Adaptor Locating Ring.....	.50
SPECIAL		
9017	Flasher Unit, 6 Volt, 5 Ampere capacity.....	1.50
9017-A	Flasher Unit, 12 Volt, 5 Ampere capacity.....	1.50
9053	Switch for Single Lamp.....	.75
9553	Switch, Fused 3-Pole, for Pr. Lamps.....	1.00

On Jobber orders for PARTS only, totalling less than \$3.00 wholesale, a service charge of 25¢ will be added.

PLEASE ORDER BY PART NUMBER — PRICES SUBJECT TO CHANGE WITHOUT NOTICE.

Parts Prices (U.S.A.) for Model S-4 Fog Light



SEE OPPOSITE PAGE FOR
ALL-GLASS BULB ADAPTER

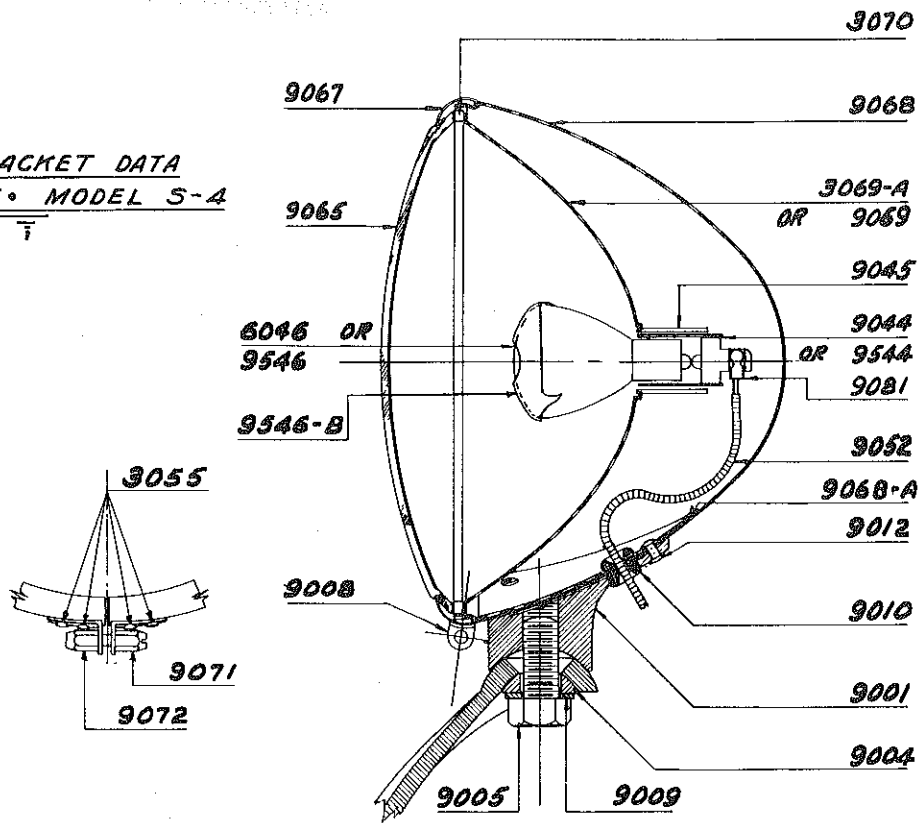
Part No.	List	Part No.	List
9002-A	Bracket Arm— $3\frac{1}{8}$ " Height— $2\frac{7}{8}$ " between hole centers.....	6061-RHP	Clear Ruby Lens with "HIGHWAY PATROL" sandblasted on inside face— $5\frac{1}{8}$ " Diameter.....
9002-F	Bracket Arm— $2\frac{3}{8}$ " Height— $2\frac{1}{2}$ " between hole centers.....	6061	Clear Ruby Lens with "POLICE" sandblasted on inside face— $5\frac{1}{8}$ ".....
9002-S	Bracket Arm— $1\frac{3}{4}$ " Height—2" between hole centers.....	6061-RP	Clear Ruby Lens with "SHERIFF" sandblasted on inside face— $5\frac{1}{8}$ ".....
9002-N	Bracket Arm—Level Height— $4\frac{1}{8}$ " between hole centers.....	6061-RS	Clear Ruby Lens with "PATROL" sandblasted on inside face— $5\frac{1}{8}$ ".....
9003	Bottom Bracket Clamp.....	9169	Reflector.....
9003-A	Bottom Bracket Clamp with $\frac{1}{2}$ " opening for thick bars (Pairs with Part No. 9500-A).....	9170	Gasket.....
9004	Bracket Cup Washer.....	9444	Bulb Socket.....
9005	Bracket Head Bolt— $\frac{7}{16}$ " x 1" U.S.S.....	9467	Ring Assembly incl. Part 9471-2.....
9006	Bracket Clamp Bolt— $\frac{7}{16}$ " x 4" U.S.S.....	9471-2	Ring Screw & Nut.....
9007	Nut for No. 9006 Bolt— $\frac{7}{16}$ " U.S.S.....	9500	Upper Bracket Clamp.....
9009	Lock Washer $\frac{7}{16}$ ".....	9500-A	Upper Bracket Clamp with $\frac{1}{2}$ " Opening for thick bars (Pairs with Part No. 9003-A).....
9010	Rubber Grommet.....	9546-B	Bulb Shield.....
9052	Wire Assembly.....	9586	Break Off Screw— $\frac{1}{4}$ " x $\frac{3}{8}$ " Long.....
9165	Amber Prism Lens— $5\frac{7}{8}$ " Diameter.....	9646	6-8 Volt, 35 Watt Bulb.....
9165-C	Crystal Prism Lens— $5\frac{7}{8}$ " Diameter.....	9646-D	Glaseal Driving Light Bulb, Mazda No. 4010.....
9165-O	Orange Prism Lens— $5\frac{7}{8}$ " Diameter.....	9646-P	Glaseal Passing Light Bulb, Mazda No. 4011.....
9165-R	Red Prism Lens— $5\frac{7}{8}$ " diameter.....	9668	Shell Assembly including Parts Nos. 9601 & 9468-A.....
9165-T	Two-tone Amber-Crystal Prism Lens— $5\frac{7}{8}$ " diameter.....	9675	Adaptor Locating Ring.....
6061	Clear Lens (Spotlight)— $5\frac{1}{8}$ " Dia.	9146	6-8 Volt, 32 C.P. Bulb, Mazda 1321.....
6061-A	Clear Amber Lens— $5\frac{1}{8}$ " Diameter.....	9146-A	6-8 Volt, 50 C.P. Bulb, Mazda 1503.....
6061-R	Clear Ruby Lens— $5\frac{1}{8}$ " Diameter.....	9146-C	12-16 Volt, 32 C.P. Bulb, Mazda 1327.....
6061-RP	Clear Ruby Lens with "POLICE" sandblasted on inside face— $5\frac{1}{8}$ ".....	SPECIAL	
6061-RS	Clear Ruby Lens with "SHERIFF" sandblasted on inside face— $5\frac{1}{8}$ ".....	9017	Flasher Unit, 6 Volt, 5 Ampere capacity.....
		9017-A	Flasher Unit, 12 Volt, 5 Ampere capacity.....
		9053	Switch for Single Lamp.....
		9553	Switch, Fused 3-Pole, for Pr. Lamps.....

On Jobber orders for PARTS only, totalling less than \$3.00 wholesale, a service charge of 25¢ will be added.

PLEASE ORDER BY PART NUMBER — PRICES SUBJECT TO CHANGE WITHOUT NOTICE.

Parts Prices (U.S.A.) for DeLuxe Road Lamps

FOR BRACKET DATA
SEE SHEET • MODEL S-4



Part No.	Description	List
3044	Socket for Bayonet Base Bulb.....	\$.40
3069-A	Reflector for Bayonet Base Bulb.....	1.50
3070	Gasket17
BAYONET BASE BULBS FOR REFLECTOR 3069-A FOLLOW:		
6046	6-8 Volt, 32 C.P. Bulb, Mazda 1133	.19 net
6046-A	6-8 Volt, 50 C.P. Bulb, Mazda 1183	.40 net
6046-B	Bulb Shield15
6046-C	12-16 V., 32 C.P. Bulb, Mazda 1143	.55 net
6046-D	12-16 V., 50 C.P. Bulb, Mazda 1195	.65 net
6046-E	32 Volt, 50 C.P. Bulb (R.P. 11).....	1.20 net

Part No.	Description	List
PRE-FOCUSED BASE BULBS FOR REFLECTOR 9069 FOLLOW:		
9546	6-8 Volt, 32 C.P. Bulb—Mazda 2330	.30 net
9546-A	6-8 Volt, 50 C.P. Bulb—Mazda 2520	.60 net
9546-B	Bulb Shield15
9546-C	12-16 V., 32 C.P. Bulb—Mazda 2336	.60 net
9546-D	12-16 V., 50 C.P. Bulb—Mazda 2526	.80 net
9002-A	Bracket Arm—3 1/8" Height—2 7/8" between hole centers.....	.40
9002-F	Bracket Arm—2 3/8" Height—2 1/2" between hole centers.....	.40
9002-S	Bracket Arm—1 3/4" Height—2" between hole centers.....	.40
9002-N	Bracket Arm—Level Height—4 1/8" between hole centers.....	.40
9003	Bracket Clamp18
9003-A	Bottom Bracket Clamp with 1/2" opening for thick bars (Pairs with Part No. 9500-A).....	.18
COMPLETE BRACKET ASSEMBLY		1.00
9004	Bracket Washer.....	.12
9005	Bracket Head Bolt—7/16"x1" U.S.S.....	.12
9006	Bracket Carriage Bolt—7/16"x4" U.S.S.....	.15

Part No.	Description	List
9007	Nut for Bolt No. 9006.....	.05
9009	Bracket Washer02
9010	Rubber Grommet05
9044	Socket for Bayonet Base Bulb.....	.40
9052	Wire Assembly.....	.60
9065	Amber Prism Lens—6 1/8" Diameter.....	.75
9065-B	Blue Prism Lens—6 1/8" Diameter.....	.75
9065-C	Crystal Prism Lens—6 1/8" Diameter.....	.75
9065-G	Green Prism Lens—6 1/8" Diameter.....	.75
9065-O	Orange Prism Lens—6 1/8" Diameter.....	.75
9065-R	Red Prism Lens—6 1/8" Diameter.....	.75
6065	Clear Lens (Spotlight)—6 1/4" Dia.....	.40
6065-A	Clear Amber Lens—6 1/4" Diameter.....	1.10
6065-R	Clear Ruby Lens—6 1/4" Diameter.....	1.75
6065-RP	Clear Ruby Lens, with "POLICE" sandblasted on inside face—6 1/4".....	3.00
6065-RS	Clear Ruby Lens, with "SHERIFF" sandblasted on inside face—6 1/4".....	3.00
9067	Ring, including 9071-2.....	1.10
9068	Shell Assembly, including 9001 & 9068-A.....	3.00
9069	Reflector, for Pre-focused bulb.....	1.50
9071-2	Ring Screw & Nut.....	.10
9500	Upper Bracket Clamp.....	.18
9500-A	Upper Bracket Clamp with 1/2" opening for thick Bars (Pairs with Part No. 9003-A).....	.18
9544	Socket for Pre-focused Base Bulb.....	.40
SPECIAL		
9017	Flasher Unit, 6 Volt, 5 Ampere capacity.....	1.50
9017-A	Flasher Unit, 12 Volt, 5 Ampere capacity.....	1.50
9053	Switch for Single Lamp.....	.75
9553	Switch, Fused 3-Pole, for Pr. Lamps	1.00

On Jobber orders for PARTS only, totalling less than \$3.00 wholesale, a service charge of 25¢ will be added.

PLEASE ORDER BY PART NUMBER — PRICES SUBJECT TO CHANGE WITHOUT NOTICE.

UNITY MANUFACTURING CO., 2909 Indiana Ave., CHICAGO, ILL.