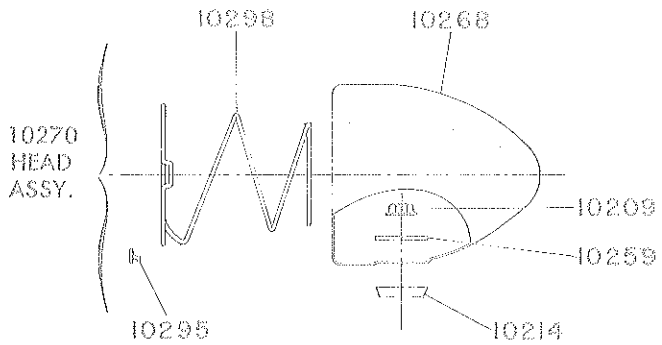
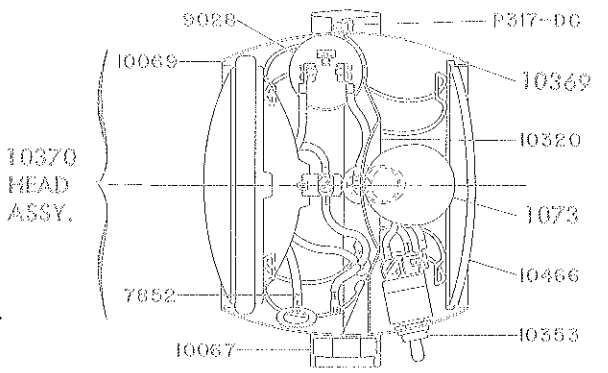


PARTS SHEET

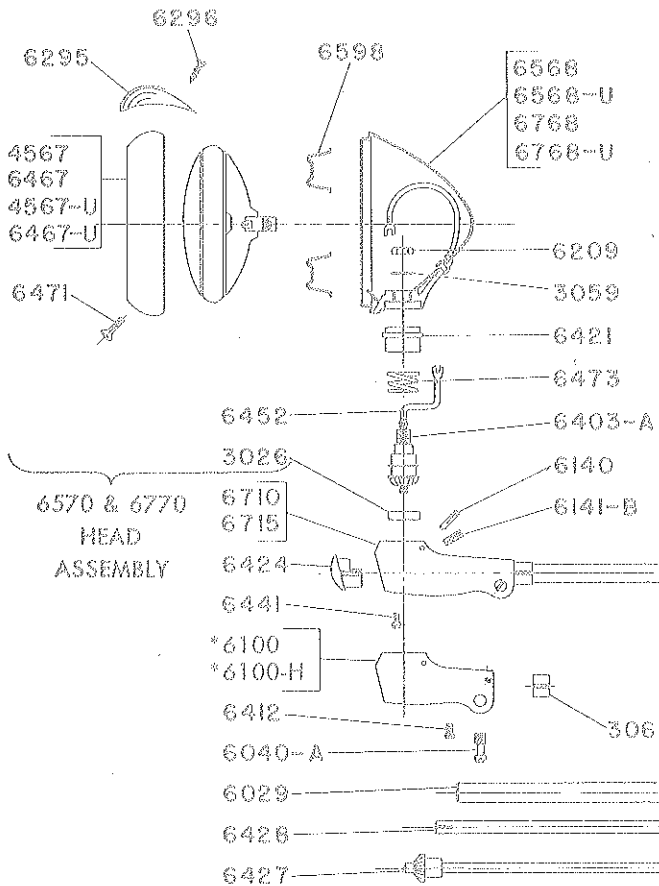
**MODEL 222
TEAR DROP**



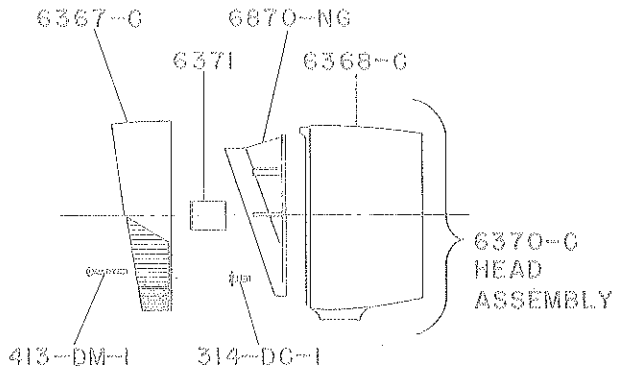
**DOUBLE HEADER
MODEL 10300**



	SPOTLIGHT	ROOFLIGHT
MODEL S-6	225	275
MODEL H-1	250	U250

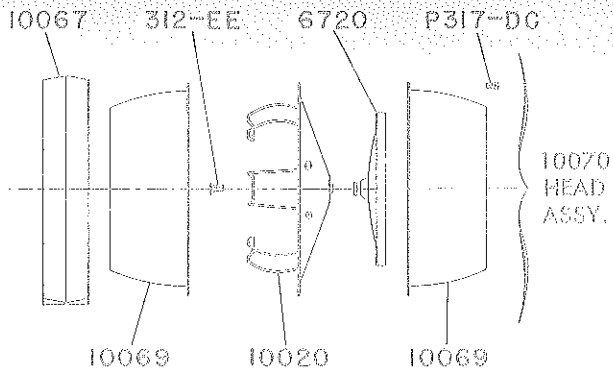


**H2-C
MODEL RM255**

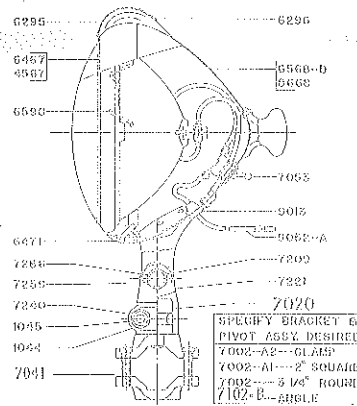


*6100 used for A, B, H, GM, U, V, Length Spotlights
*6100-H used for C, K, P, F, FP, N, Length Spotlights

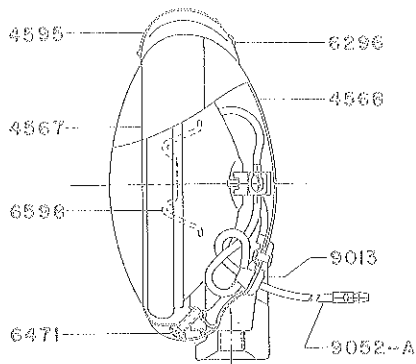
MODEL 10000



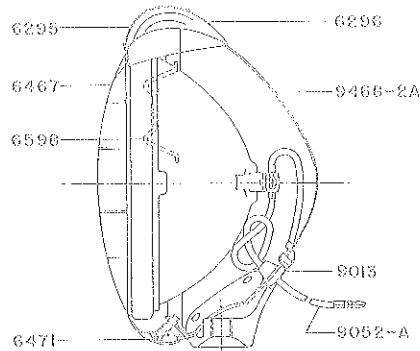
AG & 5AG SERIES



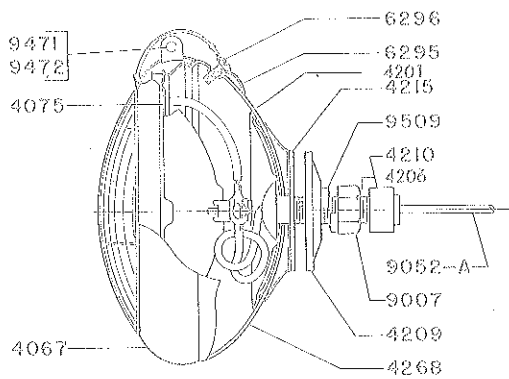
H1 520 SERIES



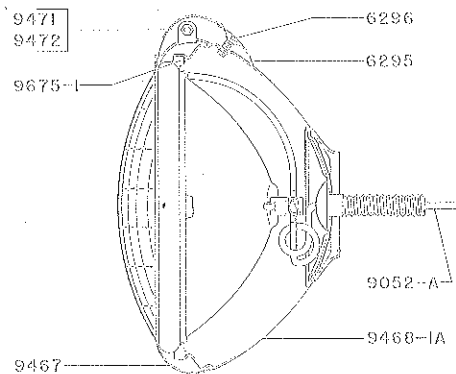
F1 300 SERIES



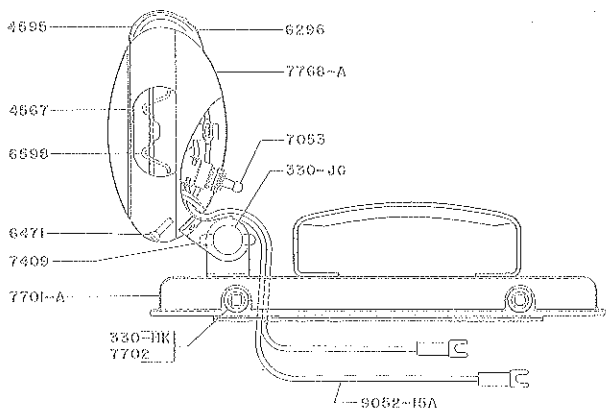
H2 5" FLUSH 525 SERIES



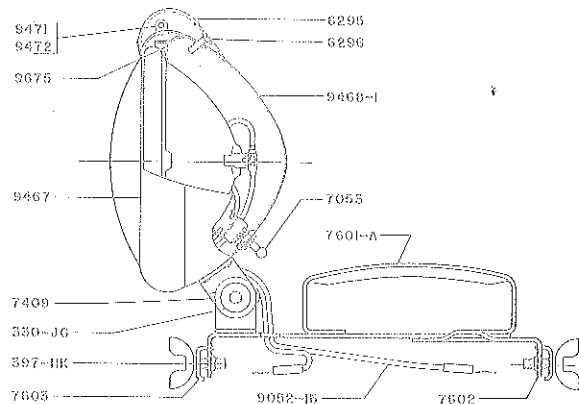
6" FLUSH 725 SERIES



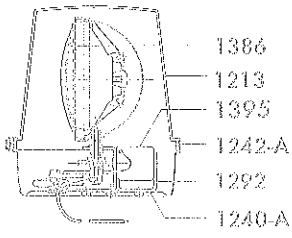
BATTERY LIGHT 761 SERIES



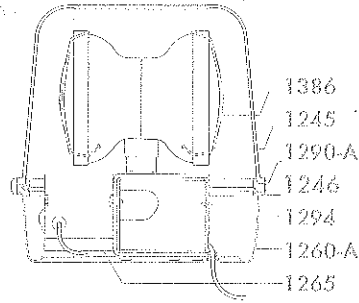
BATTERY LIGHT 760 SERIES



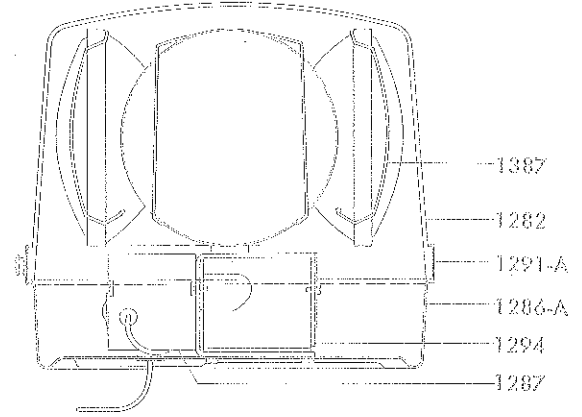
**RV-15
UNIBEACON**



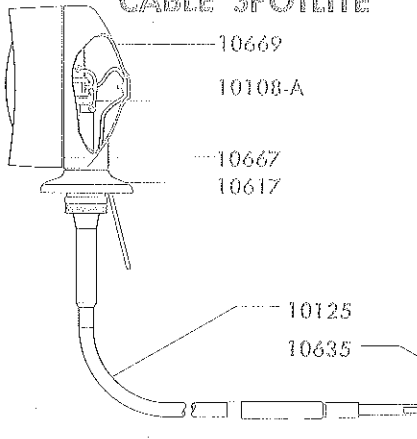
**RV-25
UNIBEACON**



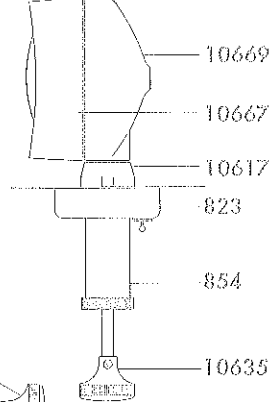
**RV-46
UNIBEACON**



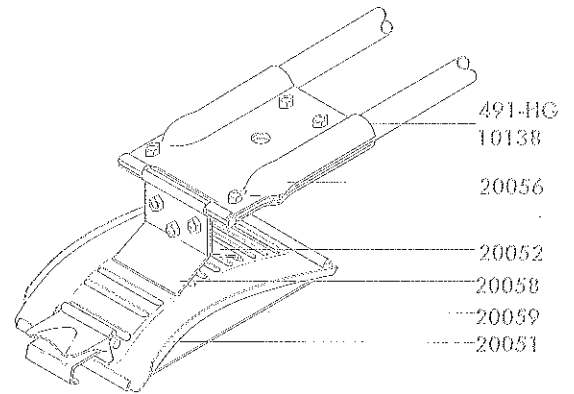
**10600
CABLE SPOTLITE**



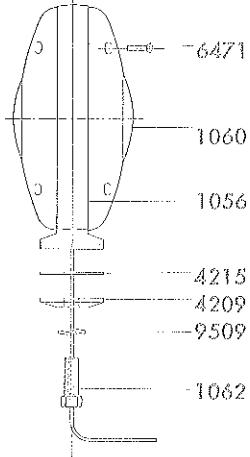
**10700
ROOF SPOTLITE**



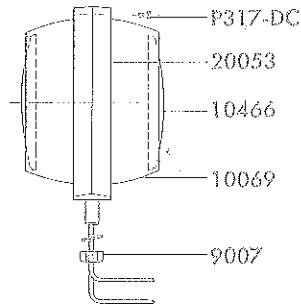
UNIRACK - END BRACKET



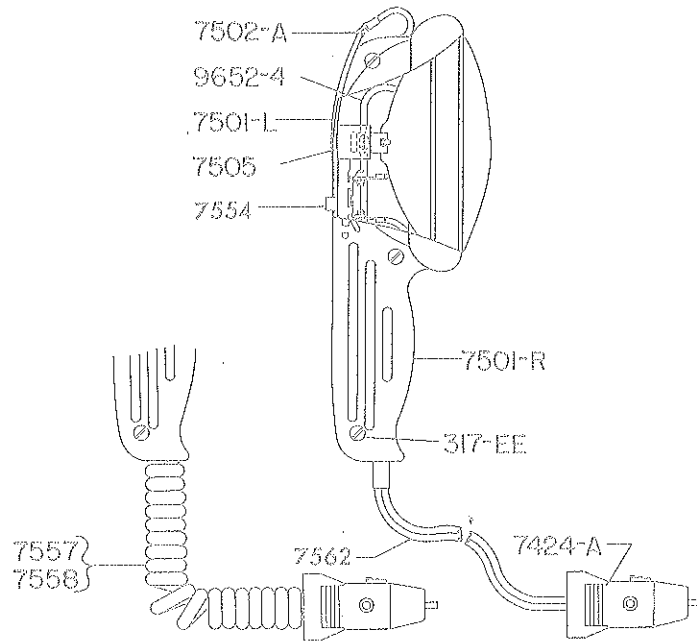
20110-7" WARNING LIGHT



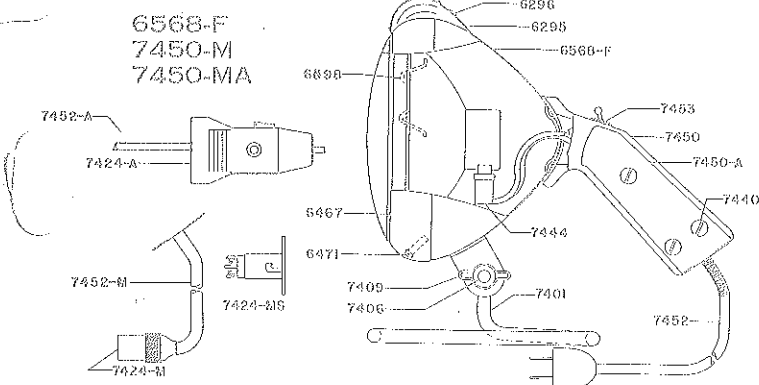
20040-5" WARNING LIGHT



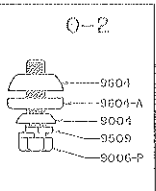
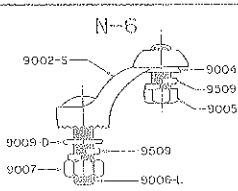
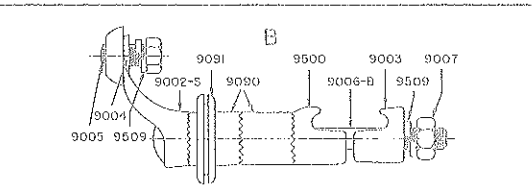
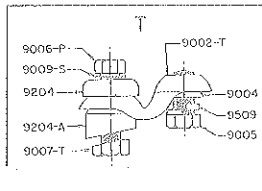
**UNILITE
772 SERIES**



**SEARCHLIGHT
742 & 744 SERIES**



PART NUMBER	DESCRIPTION	Suggested LIST PRICE	PART NUMBER	DESCRIPTION	Suggested LIST PRICE
312EE	Screw	\$.13	4209	Bracket Washer	.63
P-313DD	Screw	.13	4210	Rubber Cup	.38
314DCI	Screw	.13	4215	Gasket	.25
P-317DC	Screw	.13	4268	Shell Assy. - H2	4.59
317EE	Screw	.13			
330HK	Carriage Bolt	.34	4269	Bracket Washer	.50
330JC	Carriage Bolt	.25	4567	Ring - H1	3.75
397HK	Wing Bolt	.50	4567-U	Ring - U250	3.75
413DMI	Screw	.16	4568	Shell - 520	4.59
491-HG	Bolt	.25	4595	Ornament Assy.	1.53
823	Escutcheon	1.97			
854	Sleeve	1.97	6001	Handle Housing	4.88
1003A	Drill Bushing	.19	6002	Sw. Cap	2.66
1044	Nut	.13	6010	Clip	.13
1045	Washer	.06			
1056	Body	6.25	6029-A	7/8" A Length Tube	3.91
1060	Len 7" - 20110 - Amber, Blue, Red	3.28	6029-B	6 1/8" B " "	3.91
1062	Bolt	.44	6029-C	12" C " "	3.91
1070	Long Drill - 1/2"x21"	7.84	6029-F	17" F " "	3.91
1213	Dome for RV15 - Amber, Blue, Clear, Red	9.84	6029-FP	19" FP " "	3.91
1240-A	Base For RV15	5.91	6029-H	7 1/4" H Length Tube	3.91
1242-A	Ring Assy. RV15	2.97	6029-GM	10 3/8" GM " "	3.91
*1245	Dome For RV25 - Amber, Blue, Clear, Red	9.84	6029-K	9" K " "	3.91
1246	Gasket - RV25	1.00	6029-N	5 5/8" N " "	3.91
1260-A	Base For RV25	15.09	6029-Z	14" Z " "	3.91
1265	Motor For RV25, RV26	24.13	6029-U	6 1/8" Utility	3.91
*1282	Dome - RV26, 45 & 46 Amber, Blue, Clear, Red	12.50	6029-V	8 7/8" V Length Tube	3.91
1286-A	Base - RV26, 45 & 46	19.69			
1287	Motor - RV45 & 46	25.44	6030	Screw	.16
1290-A	Ring Assy. - RV25	3.28	6035	Wedge	.53
1291-A	Ring Assy.-RV26, 45 & 46	10.84	6040-A	Screw	.34
1292	Gear Train - RV 15	25.44	6051-A	Screw	.19
1294	Gear Train - RV25, 26, 45 & 46	30.03	6062	Bushing - Brass 1"	1.94
1386	Spring for RV15, 25 & 45 - 5" Bulb	.66	6100	Housing - Long	4.88
1387	Spring for RV 26 & 46 - 6" Bulb	.66	6100-H	Housing - Short	4.88
1395	Motor For RV15	22.97	6122	Pinion	2.16
3026	Felt Washer	.34	6123	Bushing	1.41
3035A	Nut	.34	6140	Pin	.13
3039	Screw	.13			
3040-C	Screw	.19	6141-B	Screw	.19
3040S	Screw	.19	6151	Toggle Assy.	1.41
3040U	Screw	.19	6209	Nut	.13
3059	Washer	.06	6220	Headpost	2.09
3062	Bushing	.72	6295	Ornament Assy.	1.53
3089	Felt Washer	.19	6296	Ornament Screw	.13
4002	Bracket Arm	2.13	6350-B	Screw	.25
4006	Cap Screw	.13	6367-C	Ring - RM255	3.84
4067	Ring Assy. - 525	3.75	6368-C	Shell - RM255	9.72
4075	Adapter Ring - 525	1.03	6370-C	Head Assy. - RM255	28.66
4201	Bracket Washer	.53	6371	Spring	.13
4206	Carriage Bolt	.72	6403-A	Headpost Assy.	3.97
			6405	Gear	.84
			6412	Screw	.13
			6421	Bushing	1.34
			6424	Plug	.81
			6427-A	12" A Length Rod	5.22
			6427-B	10 1/4" B " "	5.22



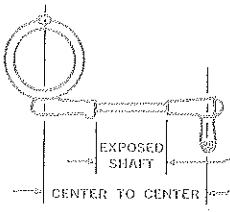
PART NUMBER	DESCRIPTION	SUGGESTED LIST PRICE
6427-C	15 1/2" C " "	5.22
6427-F	20 1/2" F " "	5.22
6427-FP	22 1/2" FP " "	5.22
6427-H	11 3/8" H Length Tube	5.22
6427-GM	14 1/2" GM " "	5.22
6427-K	12 1/2" K " "	5.22
6427-N	9 1/8" N " "	5.22
6427-Z	17 1/2" P " "	5.22
6427-U	10 1/4" Utility " "	5.22
6427-V	13" V Length Tube	5.22
6428-A	9 7/8" A Length Tube	2.34
6428-B	8 1/8" B " "	2.34
6428-C	13 3/8" C " "	2.34
6428-F	18 3/8" F " "	2.34
6428-FP	20 3/8" FP " "	2.34
6428-H	9 1/4" H Length Tube	2.34
6428-GM	12 3/8" GM " "	2.34
6428-K	10 3/8" K " "	2.34
6428-N	7" N " "	2.34
6428-Z	15 3/8" P " "	2.34
6428-U	8 1/4" Utility " "	2.34
6428-V	10 7/8" V Length Tube	2.34
6441	Screw16
6450	Upper & Lower Handle.....	2.09
6452	Wire19
6453	Sw. & Wire	3.06
6467	Ring - S6	3.75
6467-U	Ring - S6	3.75
6471	Screw47
6473	Spring16
6568-C	Shell Assy. - 3X	9.72
6568-D	Shell Assy. - AG	20.53
6568-F	Shell & Handle Assy.	13.75
6568-FM	Shell & Handle Assy.	15.25
6568-U	Shell - 275	9.72
6568	Shell - 225	9.72
6570-12V	Head Assy. - 6"	20.53
6570-U12V	Head Assy. - 6" Rooflight	20.53
6598	Spring13
6701	Handle & Housing Assy....	12.34
6710	Housing & Tube Assy. Specify Length as Below	
6710-A		
6710-B		
6710-H		
6710-GM		16.69
6710-U		
6710-V		
6715	Housing & Tube Assy. Specify Length as Below	
6715-C		
6715-F		
6715-FP		
6715-K		16.69
6715-N		
6715-P		

PART NUMBER	DESCRIPTION	SUGGESTED LIST PRICE
6720	Mirror Head	6.13
6750	Sub Handle Assy.	6.13
6768	Shell Assy. - 250	9.72
6768-U	Shell Assy. - U250	9.72
6770-12V	Head Assy. - 5"	20.53
6770-U12V	Head Assy. - 5"	20.53
6870-NG	Mirror Head	6.13
7015	Gasket - Rooflight53
7020	Pivot	2.13
7041	Screw13
7053	Switch	2.66
7209	Nut25
7221	Pivot Housing	6.91
7240	Screw34
7259	Washer13
7286	Screw38
7401	Stand	6.28
7406	Carriage Bolt63
7409	Wing Nut50
7424-A	Auto Plug	2.22
7424-AR	Auto Socket	3.22
7424-M	Marine Plug	2.84
7424-MS	Marine Socket	3.22
7440	Screw25
7444	Socket88
7450	Handle	4.16
7450-A	Plate	2.63
7450-M	Handle	4.16
7450-MA	Plate	2.63
7452	Spring & Wire	3.91
7452-A	Auto Wire & Plug	7.38
7452-M	Marine Wire & Plug	7.38
7453	Switch	2.22
7501-L	Body Left	6.25
7501-R	Body Right	6.25
7502-A	Spring Assy.88
7505	Spacer - Rubber38
7554	Switch	1.88
7557	8 1/2' Coiled Cord & Plug Assy.	8.31
7558	12 1/2' Coiled Cord & Plug Assy.	10.00
7562	Cord & Plug Assy.	4.16
7601-A	Bracket & Handle	4.03
7602	Slide	1.09
7603	Clamp19
7620	Battery - 9 Volt	18.63
7701-A	Cover Assy.	4.84
7702	Nut66
7720	Battery - 6 Volt	15.28
7768-A	Shell Assy. - 761	9.72
7852	Ground Wire	1.25
8668	Shell Assy. - 5AG	20.53
9002-N	Bracket Arm	1.53
9002-S	Bracket Arm	1.56
9002-T	Bracket Arm	1.56

742

7452-A
7424-Z

7452-M



SPOTLIGHT LENGTHS

1 1/2"	4 3/8"	5 5/8"	8 1/2"	11 1/2"	15 1/2"	21 1/2"	27 1/2"	33 1/2"	39 1/2"	45 1/2"	51 1/2"	57 1/2"	63 1/2"	69 1/2"	75 1/2"	81 1/2"	87 1/2"	93 1/2"	99 1/2"	105 1/2"	111 1/2"	117 1/2"	123 1/2"	129 1/2"	135 1/2"	141 1/2"	147 1/2"	153 1/2"	159 1/2"	165 1/2"	171 1/2"	177 1/2"	183 1/2"	189 1/2"	195 1/2"	201 1/2"	207 1/2"	213 1/2"	219 1/2"	225 1/2"	231 1/2"	237 1/2"	243 1/2"	249 1/2"	255 1/2"	261 1/2"	267 1/2"	273 1/2"	279 1/2"	285 1/2"	291 1/2"	297 1/2"	303 1/2"	309 1/2"	315 1/2"	321 1/2"	327 1/2"	333 1/2"	339 1/2"	345 1/2"	351 1/2"	357 1/2"	363 1/2"	369 1/2"	375 1/2"	381 1/2"	387 1/2"	393 1/2"	399 1/2"	405 1/2"	411 1/2"	417 1/2"	423 1/2"	429 1/2"	435 1/2"	441 1/2"	447 1/2"	453 1/2"	459 1/2"	465 1/2"	471 1/2"	477 1/2"	483 1/2"	489 1/2"	495 1/2"	501 1/2"	507 1/2"	513 1/2"	519 1/2"	525 1/2"	531 1/2"	537 1/2"	543 1/2"	549 1/2"	555 1/2"	561 1/2"	567 1/2"	573 1/2"	579 1/2"	585 1/2"	591 1/2"	597 1/2"	603 1/2"	609 1/2"	615 1/2"	621 1/2"	627 1/2"	633 1/2"	639 1/2"	645 1/2"	651 1/2"	657 1/2"	663 1/2"	669 1/2"	675 1/2"	681 1/2"	687 1/2"	693 1/2"	699 1/2"	705 1/2"	711 1/2"	717 1/2"	723 1/2"	729 1/2"	735 1/2"	741 1/2"	747 1/2"	753 1/2"	759 1/2"	765 1/2"	771 1/2"	777 1/2"	783 1/2"	789 1/2"	795 1/2"	801 1/2"	807 1/2"	813 1/2"	819 1/2"	825 1/2"	831 1/2"	837 1/2"	843 1/2"	849 1/2"	855 1/2"	861 1/2"	867 1/2"	873 1/2"	879 1/2"	885 1/2"	891 1/2"	897 1/2"	903 1/2"	909 1/2"	915 1/2"	921 1/2"	927 1/2"	933 1/2"	939 1/2"	945 1/2"	951 1/2"	957 1/2"	963 1/2"	969 1/2"	975 1/2"	981 1/2"	987 1/2"	993 1/2"	999 1/2"
--------	--------	--------	--------	---------	---------	---------	---------	---------	---------	---------	---------	---------	---------	---------	---------	---------	---------	---------	---------	----------	----------	----------	----------	----------	----------	----------	----------	----------	----------	----------	----------	----------	----------	----------	----------	----------	----------	----------	----------	----------	----------	----------	----------	----------	----------	----------	----------	----------	----------	----------	----------	----------	----------	----------	----------	----------	----------	----------	----------	----------	----------	----------	----------	----------	----------	----------	----------	----------	----------	----------	----------	----------	----------	----------	----------	----------	----------	----------	----------	----------	----------	----------	----------	----------	----------	----------	----------	----------	----------	----------	----------	----------	----------	----------	----------	----------	----------	----------	----------	----------	----------	----------	----------	----------	----------	----------	----------	----------	----------	----------	----------	----------	----------	----------	----------	----------	----------	----------	----------	----------	----------	----------	----------	----------	----------	----------	----------	----------	----------	----------	----------	----------	----------	----------	----------	----------	----------	----------	----------	----------	----------	----------	----------	----------	----------	----------	----------	----------	----------	----------	----------	----------	----------	----------	----------	----------	----------	----------	----------	----------	----------	----------	----------	----------	----------	----------	----------	----------	----------

PART NUMBER	DESCRIPTION	Suggested LIST PRICE
9003	Bracket Clamp69
9004	Cup Washer44
9005	Cap Screw19
9005-D	Cap Screw66
9006-B	Carriage Bolt - 6"88
9006-F	Carriage Bolt - 2 1/4"38
9006-L	Carriage Bolt - 1 3/4"41
9006-P	Cap Screw38
9007	Nut13
9007-C	Nut13
9007-T	Nut25
9009-C	Washer13
9009-D	Washer13
9009-S	Washer13
9013	Grommet13
9028	Flasher - 12V (Unison)	4.13
9030	Flasher - 12V (Alternately)	4.53
9052	Wire Assy.19
9052-A	Wire Assy.	1.06
9052-D	Wire Assy.	1.22
9052-15	Wire Assy.88
9052-15A	Wire Assy.88
9081-A	Terminal16
9083	Terminal13
9084	Terminal13
9090	Bushing63
9091	Grommet28
9204	Washer34
9204-A	Bushing34
9382	Y-Connector50
9308	Ear44
9404	Washer44
9467	Ring	3.75
9467-B	Ring	3.75
9468-1	Shell Assy. - 760 "	5.66
9468-1A	Shell Assy. - 725 "	5.66
9468-2A	Shell Assy. - 300 "	5.66

PART NUMBER	DESCRIPTION	Suggested LIST PRICE
9471-2	Screw & Nut44
9500	Bracket Clamp	1.06
9509	Washer13
9604	Washer44
9652-4	Wire Assy.53
9652-6	Wire Assy.53
9675	Adapter Ring	1.19
9675-1	Adapter Ring	1.19
10020	Spring Plate	3.75
10067	Ring - 10,000	3.75
10069	Shell - 10,000, 20040....	6.59
10070	Head Assy. - 10,000	25.38
10108-A	Yoke Assy.84
10125	Cable Assy. - 37 1/2"	22.16
10138	Nut & Lock Washer19
10209	Nut38
10214	Spacer	1.94
10259	Washer25
10268	Shell	3.75
10270	Head Assy. - 12V - 222..	20.53
10295	Nameplate	1.13
10298	Spring	1.75
10320	Reflector Assy.	6.91
10353	Switch	2.50
10369	Shell - 10,300	4.47
10370	Head Assy. - 10,300	38.44
10465	Lens - Clear	2.78
10466	Lens - Red	2.78
10467	Lens - Amber	2.78
10468	Lens - Blue	2.78
10617	Base Assy.	3.44
10635	Knob	2.75
10667	Ring	5.78
10669	Body	9.44
20051	Bracket Assy.	4.75
20052	Clamp	1.00
20053	Ring Assy.	7.88
20056	Clamp Bracket	1.31
20058	Clamp & Pin	2.31
20059	Bracket Pad	1.97

For replacement Sealed Beam Lamps see Form #12

* Note For Spiffire Add to Dome Cost \$9.38

CONDITIONS OF SALE

PRICES: ALL PRICES AND SPECIFICATIONS ARE SUBJECT TO CHANGE WITHOUT NOTICE.

TERMS: 2%—10TH PROX.

FREIGHT: ALL SHIPMENTS ARE F.O.B. UNITY FACTORY CHICAGO. FULL FREIGHT ALLOWED ON INDIVIDUAL SHIPMENTS OF 200 POUNDS OR MORE, WITHIN CONTINENTAL U.S.A. PAID FREIGHT BILL MUST ACCOMPANY YOUR REMITTANCE.

CLAIMS: OUR GOODS ARE GUARANTEED TO THE EXTENT OF WORKMANSHIP. NO CLAIMS WILL BE ALLOWED FOR DAMAGE IN TRANSIT. IN CASES WHERE A PACKAGE IS IN GOOD CONDITION, AND CONCEALED DAMAGE IS FOUND, STOP UNPACKING AND CALL IN THE CARRIER'S AGENT IMMEDIATELY AND HAVE HIM NOTE THE CONCEALED DAMAGE ON YOUR PAID EXPENSE BILL. THE CARRIER RECOGNIZES THIS LIABILITY AND SHOULD ALLOW YOU FULL CLAIM.

RETURNED GOODS: AUTHORIZATION MUST BE OBTAINED BEFORE RETURN OF ANY MERCHANDISE AND SUCH MERCHANDISE MUST BE RETURNED PREPAID. CREDIT WILL BE ALLOWED SUBJECT TO OUR RECEIVING INSPECTION UNDER PROVISIONS OF OUR RETURN POLICY, FORM A-450.

SERVICE CHARGE: A SERVICE CHARGE OF \$1.00 WILL BE APPLIED TO ALL ORDERS LESS THAN \$10.00.

UNITY MANUFACTURING CO. • 1260 N. CLYBOURN AVE. • CHICAGO, ILLINOIS 60610 • PHONE 312-943-5200