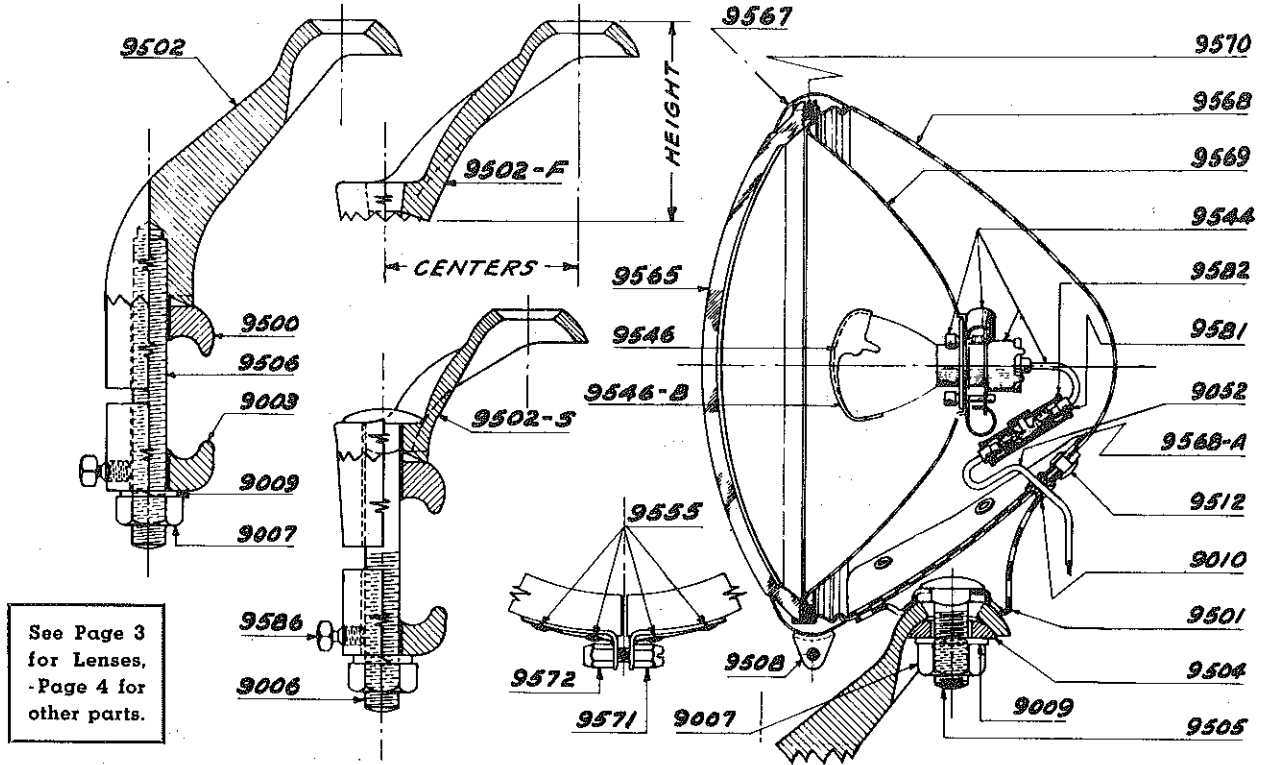
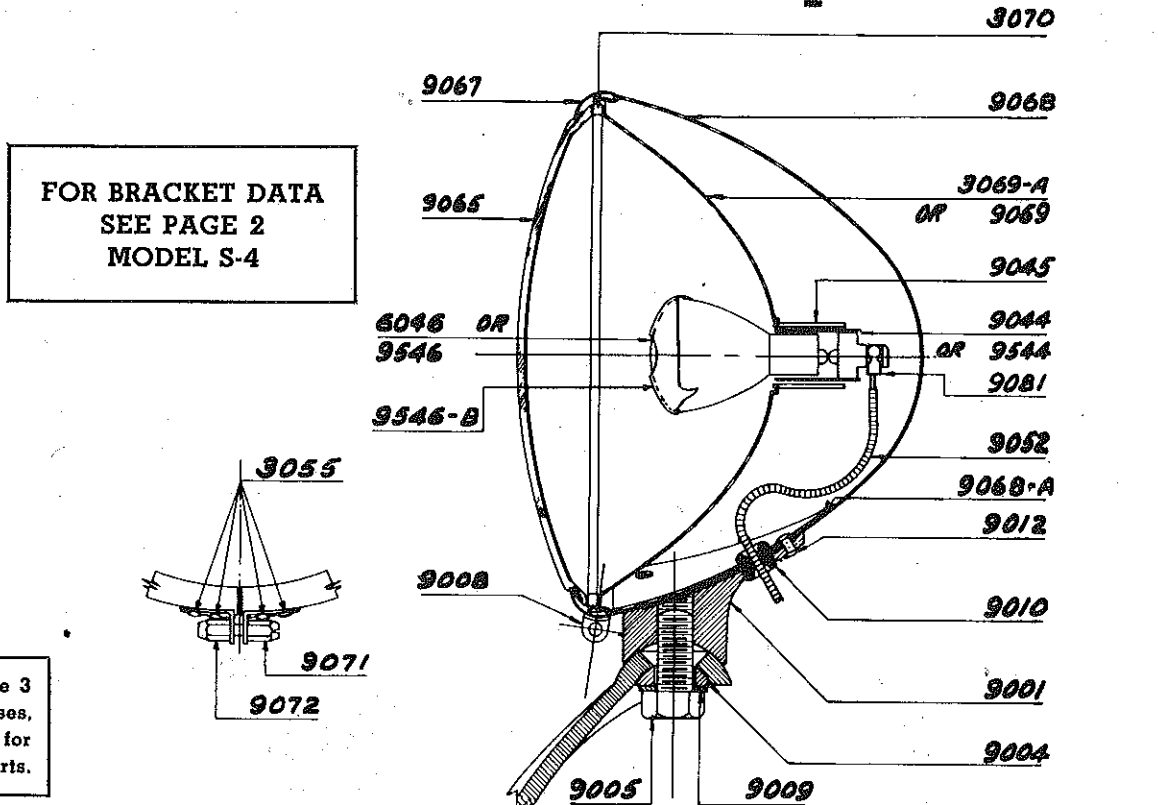


# Super Road Lamps—Stock No. 700

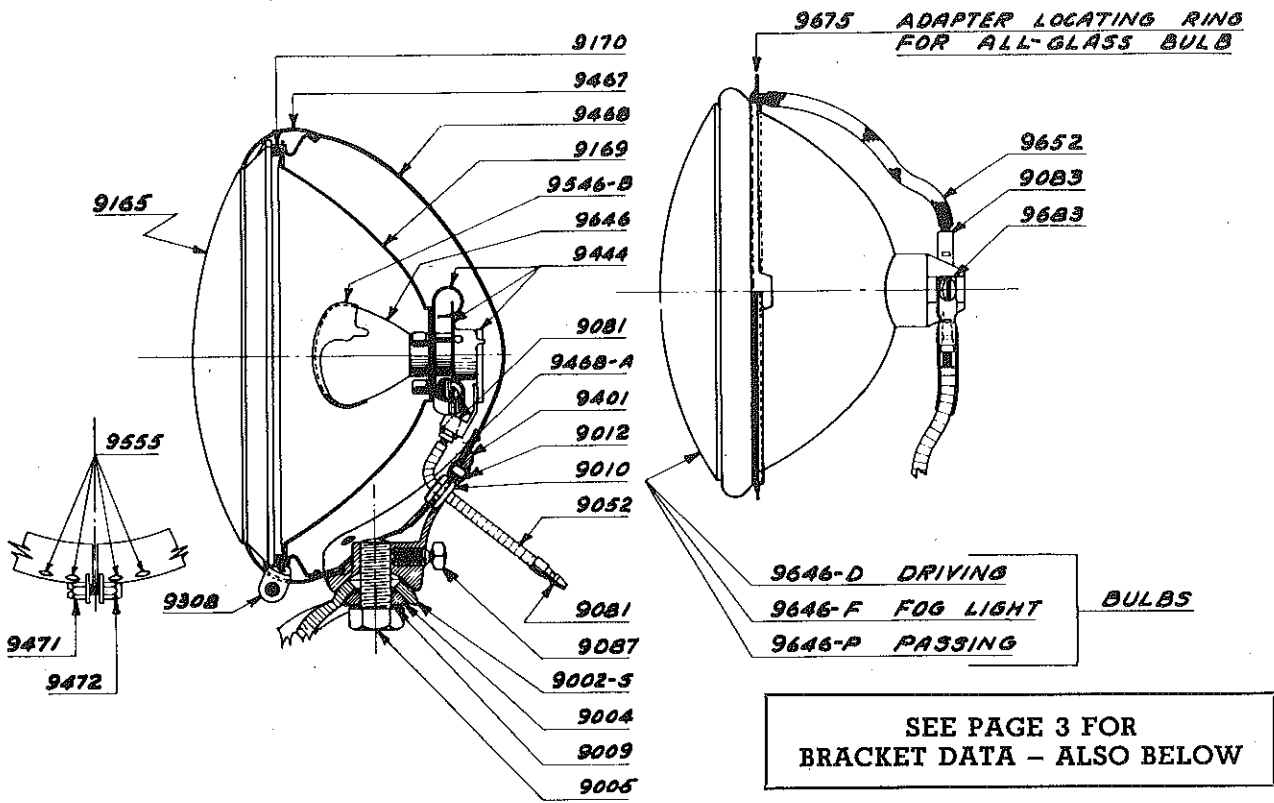


# DeLuxe Road Lamps



UNITY MANUFACTURING CO., 2909 Indiana Ave., CHICAGO, ILL.

# Model S-3 Road Lamps

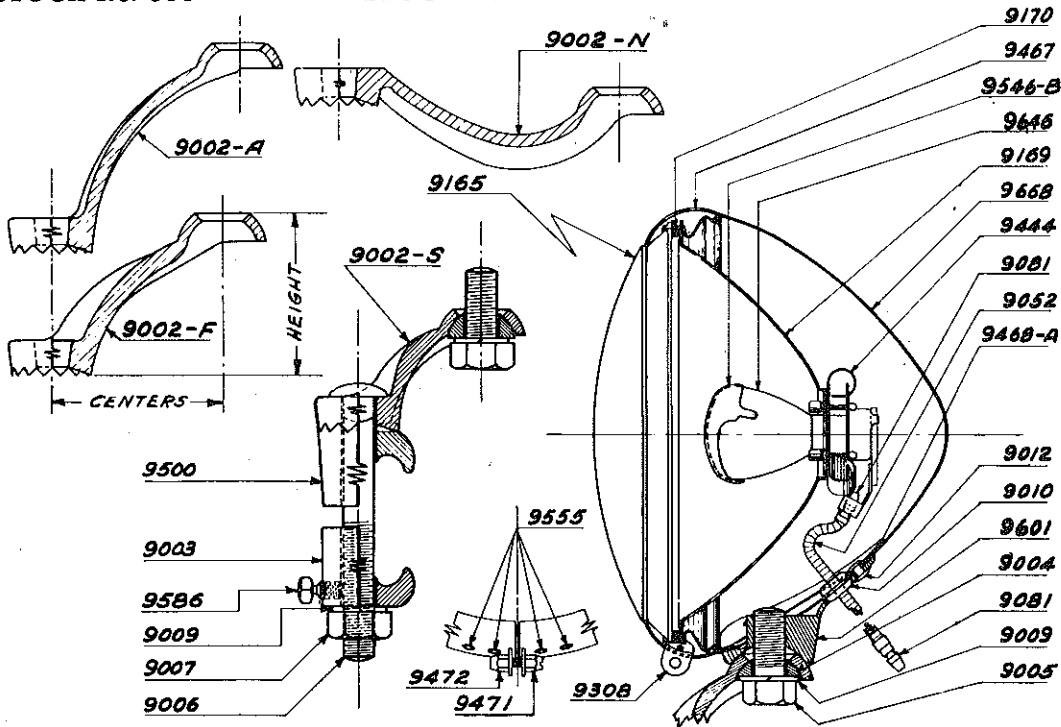


# Model S-4 Fog - Glaseal Fog - Driving-Passing Lights

STOCK No. 300

STOCK No. 400

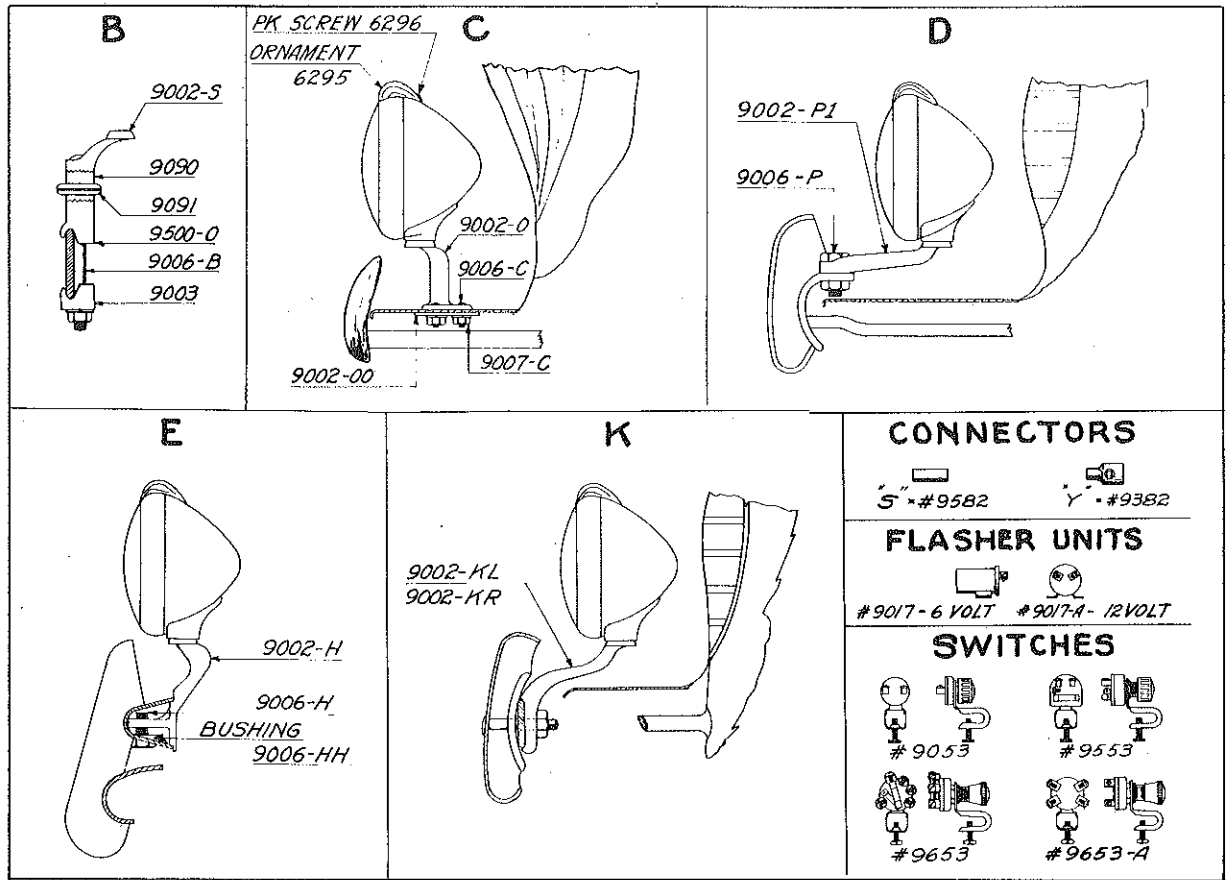
STOCK No. 500



FOR PARTS NUMBERS FOR ORNAMENT  
ON MONOGRAM MODELS -  
SEE ILLUSTRATION OF "C" BRACKET - PAGE 3.

SEE S-3 ABOVE FOR  
ALL-GLASS BULB ADAPTER.

# Special Fog Light Brackets



## LENSES

Part No.	For Models S-3 & S-4	List
6061	Clear Lens (Spotlight)—5 1/8" Dia.	.40
6061-A	Clear Amber Lens—5 1/8" Diameter	1.10
6061-R	Clear Ruby Lens—5 1/8" Diameter	1.75
6061-RP	Clear Ruby Lens with "POLICE" sandblasted on inside face—5 1/8" ...	3.00
6061-RS	Clear Ruby Lens with "SHERIFF" sandblasted on inside face—5 1/8" ...	3.00
6061-RHP	Clear Ruby Lens with "HIGHWAY PATROL" on inside face—5 1/8" Diameter	3.00
9165	Amber Prism Lens—5 7/8" Dia.	.75
9165-B	Blue Prism Lens—5 7/8" Diameter	.75
9165-C	Crystal Prism Lens—5 7/8" Dia.	.75
9165-G	Green Prism Lens—5 7/8" Diameter	.75
9165-O	Orange Prism Lens—5 7/8" Dia.	.75
9165-R	Red Prism Lens—5 7/8" Diameter	.75
9165-T	Two-tone Amber-Crystal Prism Lens—5 7/8" Diameter	.75

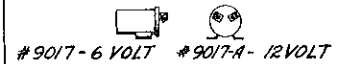
## For DeLuxe & Super 6 1/2" Models

6065	Clear Lens (Spotlight)—6 1/4" Dia.	.40
6065-A	Clear Amber Lens—6 1/4" Dia.	1.10
6065-R	Clear Ruby Lens—6 1/4" Diameter	1.75
6065-RP	Clear Ruby, with "POLICE" sandblasted on inside face of lens—6 1/4" ...	3.00
6065-RS	Clear Ruby, with "SHERIFF" sandblasted on inside face of lens—6 1/4" Diameter	3.00
9065	Amber Prism Lens—6 1/8" Dia.	.75
9065-B	Blue Prism Lens—6 1/8" Diameter	.75
9065-C	Crystal Prism Lens—6 1/8" Dia.	.75
9065-G	Green Prism Lens—6 1/8" Diameter	.75
9065-O	Orange Prism Lens—6 1/8" Dia.	.75
9065-R	Red Prism Lens—6 1/8" Diameter	.75

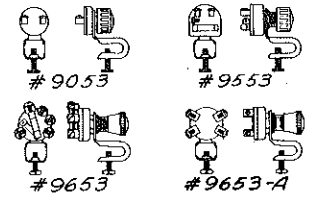
## CONNECTORS



## FLASHER UNITS



## SWITCHES



## LENSES

Part No.	For Super 7" Models	List
9565	Amber Prism Lens—6 3/4" Dia.	.75
9565-B	Blue Prism Lens—6 3/4" Diameter	.75
9565-C	Crystal Prism Lens—6 3/4" Dia.	.75
9565-CA	Clear Amber—6 3/4" Diameter	1.50
9565-G	Green Prism Lens—6 3/4" Diameter	.75
9565-O	Orange (dark amber) Prism Lens—6 3/4" Diameter	.75
9565-R	Red Prism Lens—6 3/4" Diameter	.75
9565-RC	Clear Ruby Lens—6 3/4" Diameter	1.75
9565-RP	Clear Ruby, with "POLICE" sandblasted on side face of lens—6 3/4" ...	3.00
9565-S	Clear Lens—6 3/4" Diameter	.75
9565-T	Two-tone Amber-Crystal Prism Lens—6 3/4" Diameter	.75

## FLASHER UNITS

9017	Flasher Unit, 6 Volt, 5 Ampere capacity	1.50
9017-A	Flasher Unit, 12 Volt, 5 Ampere capacity	1.50

## SWITCHES

9053	Switch for Single Lamp	.75
9553	Switch, Fused 3-Pole, for Pair Lamps	1.00
9653	Switch, 5-Pole, for Glaseal Driving-Passing Lights	1.00
9653-A	Switch, 4-Pole, for Glaseal Driving-Passing Lights	1.00

## COMPLETE BRACKET ASSEMBLY

Single Bracket for any Unity Light listed hereon, ea. 1.00

# Parts Prices (U.S.A.) for Unity Fog Lights

Part No.	List	Part No.	List
3044	Socket for Bayonet Base Bulb.....\$ .40	9146-A	6-8 V., 50 C.P. Bulb, Mazda 1503 .35 net
3069-A	Reflector for Bayonet Base Bulb..... 1.50	9146-C	12-16 Volt, 32 C.P. Bulb, Mazda 1327..... .45
3070	Gasket ..... .17	9169	Reflector ..... 1.50
*6046	6-8 V., 32 C.P. Bulb, Mazda 1133 .19 net	9170	Gasket ..... .17
*6046-A	6-8 V., 50 C.P. Bulb, Mazda 1183 .27 net	9267	Ring Assembly, including 9571-2 1.25
*6046-C	12-16 V., 32 C.P. B'b, Mazda 1143 .30 net	9268	Shell Assem., incl. 9201 & 9268-A 3.00
*6046-D	12-16 V., 50 C.P. B'b, Mazda 1195 .45 net	9382	"Y" Connector ..... .15
*6046-E	32 Volt, 50 C.P. Bulb (R.P. 11)... 1.20 net	9444	Bulb Socket, for pre-focused bulbs .40
6295	Shell ornament, complete with Unity name plate..... .70	9467	Ring Assembly incl. Part 9471-2.... 1.00
6296	Shell ornament attaching screw..... .05	9468	Shell Assembly incl. Parts Nos. 9401 & 9468-A..... 3.00
9002-A	Bracket Arm—3 $\frac{1}{8}$ " Height—2 $\frac{3}{8}$ " between hole centers..... .40	9471-2	Ring Screw & Nut..... .10
9002-F	Bracket Arm—2 $\frac{3}{8}$ " Height—2 $\frac{1}{2}$ " between hole centers..... .40	9500	Upper Bracket Clamp..... .20
9002-H	"E" Bracket Arm..... 1.00	9500-A	Upper Bracket Clamp with $\frac{1}{2}$ " opening for thick Bars (Pairs with Part No. 9003-A)..... .20
9002-KL	Left "K" Bracket Arm..... 1.00	9500-O	Long Upper Bracket Clamp..... .20
9002-KR	Right "K" Bracket Arm..... 1.00	9502	Bracket Arm—3 $\frac{3}{4}$ " Height, 2 $\frac{1}{2}$ " between hole centers..... .40
9002-N	"F" Bracket Arm—Level Height —4 $\frac{1}{8}$ between hole centers..... 1.00	9502-F	Bracket Arm—2 $\frac{3}{4}$ " Height, 2 $\frac{3}{8}$ " between hole centers..... .40
9002-O	"C" Bracket Arm..... 1.00	9502-S	Bracket Arm— $\frac{1}{8}$ " Height, 1 $\frac{7}{8}$ " between hole centers..... .40
9002-OO	"C" Bracket Reinforcing Plate..... .10	9504	Bracket Washer ..... .12
9002-OI	"O" Bracket Arm..... 1.00	9504-A	Shell Bracket Adaptor Washer..... .15
9002-PI	"D" Bracket Arm..... 1.00	9506	Bracket Stud ..... .15
9002-S	Bracket Arm—1 $\frac{3}{4}$ " Height—2" between hole centers..... .40	9506-A	Long Bracket Stud—5"..... .15
9003	Bottom Bracket Clamp..... .20	9544	See Part No. 9444.
9003-A	Bottom Bracket Clamp with $\frac{1}{2}$ " opening for thick bars (Pairs with Part No. 9500-A)..... .20	**9546	6-8 V., 32 C.P. Bulb—Mazda 2330 .30 net
9004	Bracket Cup Washer..... .12	**9546-A	6-8 V., 50 C.P. Bulb—Mazda 2530 .45 net
9005	Bracket Head Bolt— $\frac{7}{8}$ " x 1" U.S.S. .12	9546-B	Bulb Shield ..... .15
9006	Bracket Clamp Bolt— $\frac{7}{8}$ " x 4" U.S.S. .12	**9546-C	12-16 V., 32 C.P. B'b—Mazda 2336 .45 net
9006-B	Bracket Clamp Bolt— $\frac{7}{8}$ " x 6" U.S.S. .15	**9546-D	12-16 V., 50 C.P. B'b—Mazda 2536 .65 net
9006-C	Bkt. Attaching Bolt— $\frac{1}{4}$ "—20x $\frac{3}{4}$ " .05	9567	Ring Assembly, including 9571-2... 1.25
9006-H	Bkt. Att. Bolt— $\frac{3}{8}$ " U.S.S. x $\frac{7}{8}$ " ..... .06	9568	Shell Assem., incl. 9501 & 9568-A 3.00
9006-HH	"E" Bracket Bushing..... .10	9569	Reflector ..... 1.50
9006-J	Bkt. Clamp Bolt— $\frac{7}{8}$ " x 4 $\frac{3}{4}$ " U.S.S. .15	9570	Gasket ..... .17
9006-P	Bkt. Att. Bolt— $\frac{7}{8}$ " U.S.S. x 1 $\frac{1}{2}$ "... .06	9571-2	Ring Screw & Nut..... .10
9007	Nut for No. 9006 Bolt— $\frac{7}{8}$ " U.S.S. .05	9582	Bakelite Connector ..... .10
9007-C	Nut for 9006-C— $\frac{1}{4}$ —20..... .01 net	9586	Theft-Proof Set Screw..... .10
9009	Bracket Washer ..... .02	9646	See No. 9146.
9010	Rubber Grommet ..... .05	9646-C	Glaseal Crystal Fog Bulb, Mazda No. 4012..... 1.10 net
9044	Socket for Bayonet Base Bulb..... .40	9646-D	Glaseal Driving Light Bulb, Mazda No. 4010..... 1.10 net
9052	Wire Assembly ..... .60	9646-F	Glaseal Amber Fog Bulb, Mazda No. 4012-A..... 1.35 net
9067	Ring, including 9071-2..... 1.10	9646-P	Glaseal Passing Light Bulb, Mazda No. 4011..... 1.10 net
9068	Shell Assembly, including 9001 & 9068-A ..... 3.00	9668	Shell Assembly including Parts Nos. 9601 & 9468-A..... 3.00
9069	Reflector, for Pre-focused bulb..... 1.50	9675	Adaptor Locating Ring, including Ground Wire #9652 and Ter- minals No. 9083 & Two No. 9683 .50
9071-2	Ring Screw & Nut..... .10		
9087	Break Off Screw— $\frac{1}{4}$ " x $\frac{1}{2}$ " Long.. .02		
9090	Clamp Extension Bushing..... .15		
9091	Rubber Grommet for "B" Bracket .15		
9146	6-8 V., 32 C.P. Bulb, Mazda 1323 .27 net		

On Jobber orders for Parts Only, totaling less than \$3.00 wholesale, a service charge of 25¢ will be added.

PLEASE ORDER BY PART NUMBER—PRICES SUBJECT TO CHANGE WITHOUT NOTICE.