

105

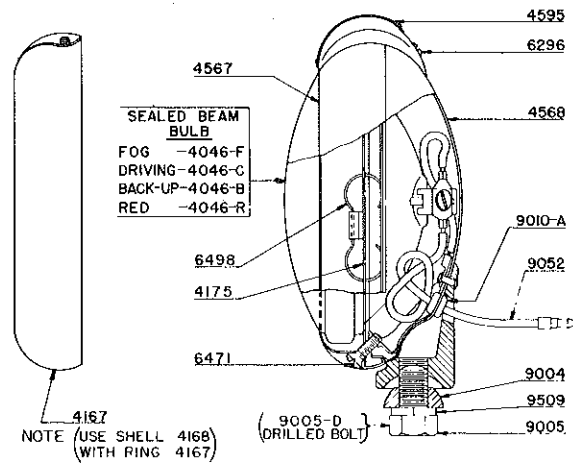
Bumper & Pan Mounting Fog, Driving, Back-Up Lights

MODEL H1 SHOWN BELOW

STOCK NO. 420
STOCK NO. 520

MODELS H, S3, S4, S7 SHOWN BELOW

STOCK NOS. 300-400-420-430

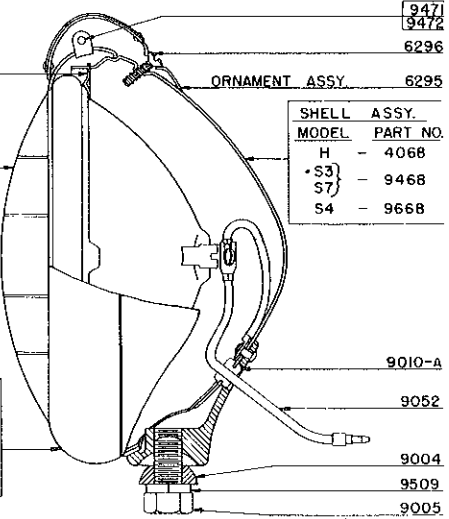


SEALED BEAM BULB	
MODEL	PART NO.
FOG	-4046-F
DRIVING	-4046-C
BACK-UP	-4046-B
RED	-4046-R

ADAPTER RING	
MODEL	PART NO.
H	- 4075
S3 S4 S7	- 9675

SEALED BEAM BULB	
MODEL	PART NO.
H-FOG	- 4046-A
H-DRIVING	-4046-C
H-BACK-UP	-4046-B
H-RED	- 4046-R
S3 FOG	- 9646-F
S4 DRIVING	-9646-C
S7 RED	- 9646-R

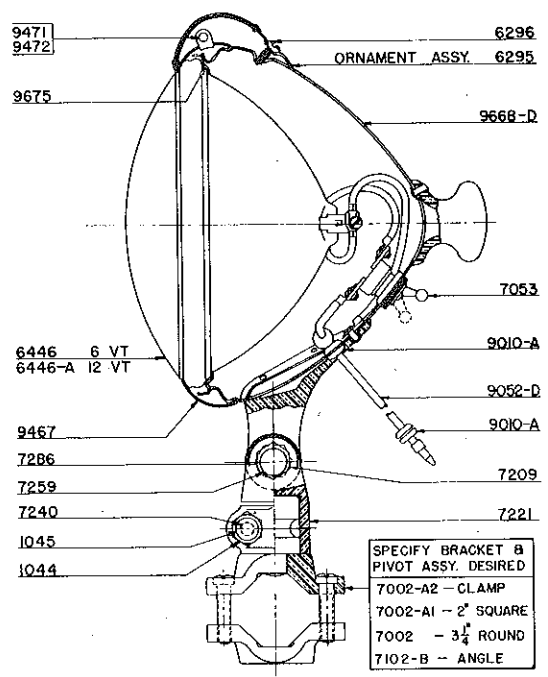
RING ASSY.	
MODEL	PART NO.
H	- 4067
S3 S4 S7	- 9467



SHELL ASSY.	
MODEL	PART NO.
H	- 4068
S3 S4	- 9468
S4	- 9668

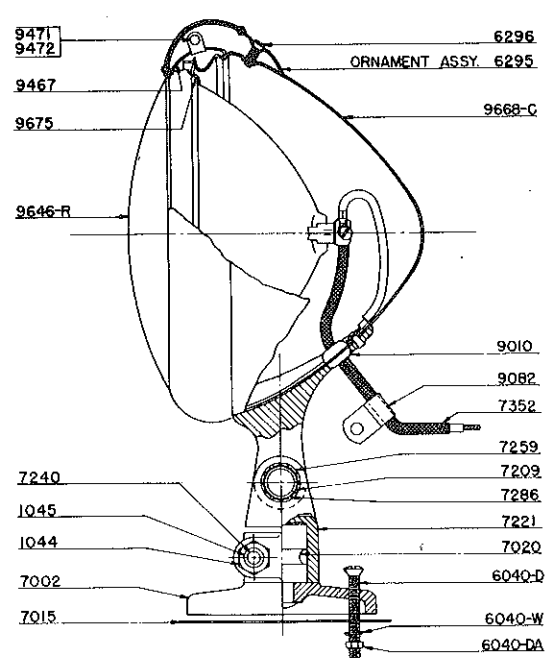
SEALED BEAM ASSEMBLY SHOWN ABOVE
 MODELS PRECEDING SEALED BEAM TYPE ARE SAME AS ABOVE
 EXCEPT FOR SEPARATE LENS, REFLECTOR, GASKET, BULB ASSEMBLY.
 SEE PAGE 3 FOR GASKETS-BULBS-LENSES.
 WHERE NECESSARY HAVE REFLECTOR RESILVERED LOCALLY

"AG" Sealed Beam Deck Light



SPECIFY BRACKET & PIVOT ASSY. DESIRED	
7002-A2	- CLAMP
7002-A1	- 2" SQUARE
7002	- 3/4" ROUND
7102-B	- ANGLE

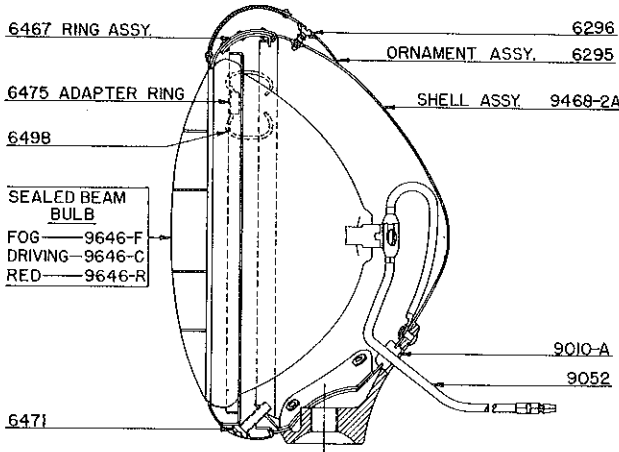
No. 3 (Universal Warning Light) No. 3X



9/30/54

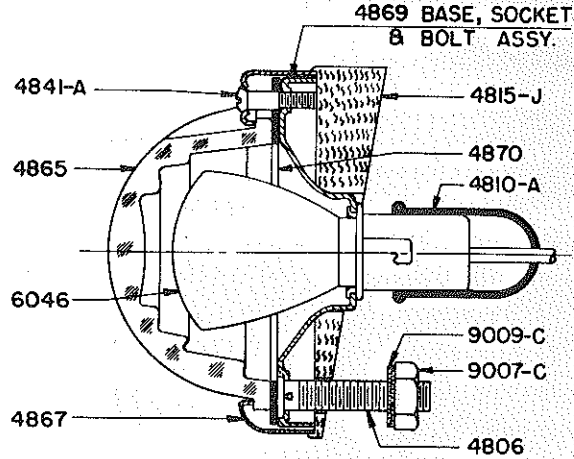
Model F-1 Fog Light

STOCK NOS. 300-400

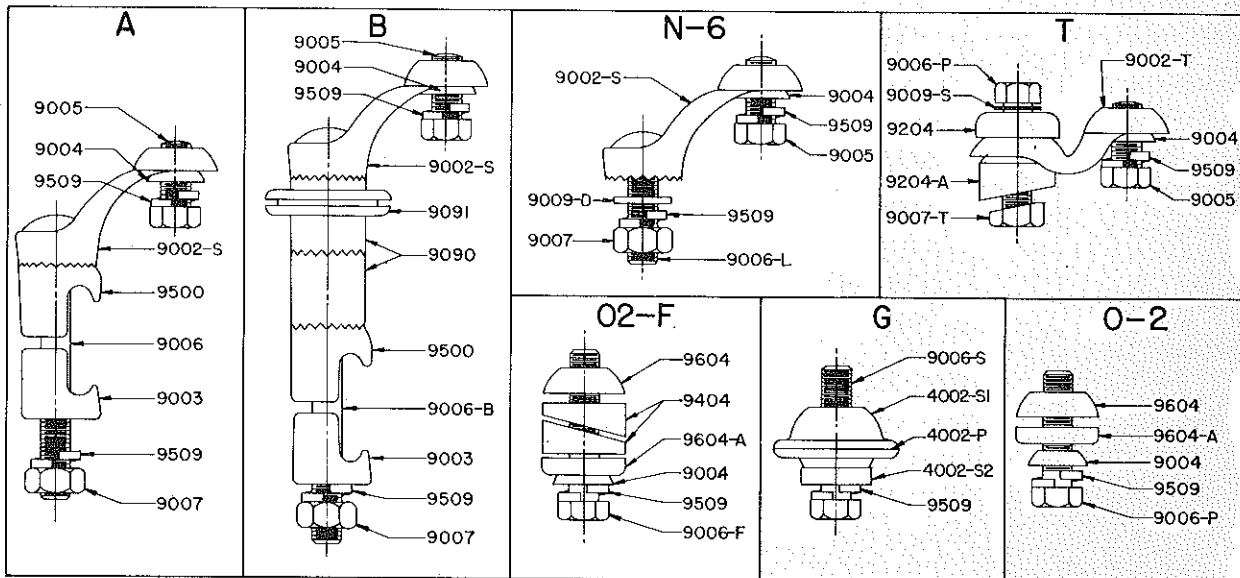


Model "C" Flush Mounting Back-Up Light

STOCK NO. 480
 STOCK NO. 482



Current Universal Fog Light Brackets



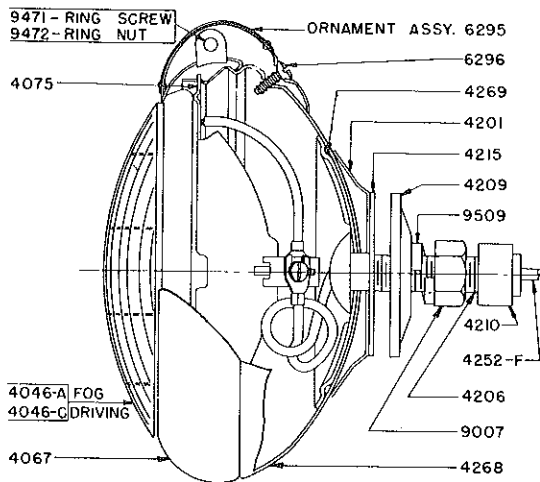
List Price for any single Fog Light Bracket is \$1.38 each. See Form No. 168 for Bracket Specifications by makes of vehicles.

All Prices herein are U. S. Prices and are subject to change without notice.

Flush Mounting Fog Light

Model "H-2" Fog Light

STOCK NO. 425 and 525



EFFECTIVE SEPT., 1953

PARTS PRICES (U.S.A.)

**PLEASE ORDER BY PART NUMBER,
WHENEVER POSSIBLE.**

Prices Subject To Change Without Notice

On Wholesale orders for Parts Only, totaling less than \$3.00 wholesale, a Service Charge of 25¢ will be added.

Unity Deluxe Model and Super Model Fog Lights are now obsolete. Repair parts are no longer available, except Gaskets and Lenses, listed hereon. Deluxe and Super Models cannot be converted to Sealed Beam Type.

GASKETS

Part No.	Description	List Price
3070	Synthetic Rubber Gasket, 1/8" thick for Deluxe Model Fog Lights, 19" long, cut to fit light.....	.23
6370	Synthetic Rubber Gasket, 7/32" x 5/32" for Model S3, S4, S7 Fog Lights, 19 1/2" long, cut to fit light.....	.23

BULBS

Part No.	Description	List Price
Bayonet Base type, for single contact Deluxe Model Fog Lights		
6046	6-8 Volt, 32 C.P., Bulb No. 1133.....	.33
6046-A	6-8 Volt, 50 C.P., Bulb No. 1183.....	.39
6046-C	12-16 Volt, 32 C.P., Bulb No. 1143.....	.40
Prefocused type, single contact, for Model S3, S4, S7 & H Fog Lights		
9146-A	6-8 Volt, 50 C.P., Bulb No. 1503.....	.62
9146-C	12-16 Volt, 32 C.P., Bulb No. 1327.....	.77
9146-D	12-16 Volt, 50 C.P., Bulb No. 1507.....	.83

Part No. Description List Price

BULBS

Prefocused type, double contact, for Super Model Fog Lights		
9546	6-8 Volt, 32 C.P., Bulb No. 2330.....	.50
Sealed Beam Type		
4046-B	6-8 Volt, 25 Watt, Crystal, for H & H1 B.U. Light—GE No. 4510.....	1.85
4046-C	6-8 Volt, 35 Watt, Crystal for H & H1 Driving—GE No. 4015.....	1.65
4046-C-12	12-16 Volt, 35 Watt, Crystal for H & H1 Driving—GE No. 4415-C.....	1.95
4046-F	6-8 Volt, 35 Watt, Amber for H & H1 Fog Light—GE No. 4015-A.....	1.90
4046-F-12	12-16 Volt, 35 Watt, Amber for H & H1 Fog Light—GE No. 4415-A.....	2.20
4046-R	6-8 Volt, 25 Watt Red for H & H1 Lights GE No. 4510-R.....	3.45
4046-R-12	12-16 Volt, 18 Watt, Red for H & H1 Lights—GE No. 4414-R.....	3.70
6446	6 Volts, 30 Watt for AG Deck Light—GE No. 4535.....	2.00
6446-A	12 Volt, 30 Watt for AG Deck Light—GE No. 4435.....	2.60
9446-C	12-16 Volt, 35 Watt, Crystal for Models F1, S3, S4, S7—GE No. 4412.....	2.10
9446-F	12-16 Volt, 35 Watt Amber for Models F1, S3, S4, S7—GE No. 4412-A.....	2.35
9646-C	6-8 Volt, 35 Watt Crystal for Models F1, S3, S4, S7—GE No. 4012.....	1.70
9646-F	6-8 Volt, 35 Watt Amber for Models F1, S3, S4, S7—GE No. 4012-A.....	1.95
9646-R	6 Volt RED, 25 Watt for Models S3, S4, S7, F1—GE No. 4013-R (No. 3 Warning).....	3.25
9646-R-12	12 Volt RED, 35 Watt for Models 3X (Warning) F1, S3, S4, S7—GE No. 4413-R.....	3.75

LENSES

PRISM TYPE		
4765	Lens for Model B Back-up Light.....	.70
4865	Lens for Model C Back-up Lamp.....	.70
For Models S3, 4 & 7		
9165	Amber Lens—5 7/8" Diameter.....	1.04
9165-B	Blue Lens—5 7/8" Diameter.....	2.00
9165-C	Crystal Lens—5 7/8" Diameter.....	1.04
9165-G	Green Lens—5 7/8" Diameter.....	2.00
9165-P	Purple Lens—5 7/8" Diameter.....	2.00
9165-R	Red Lens—5 7/8" Diameter.....	2.00
For Deluxe & Super 6 1/2" Models		
9065-G	Green Lens—6 1/8" Diameter.....	1.04
For Super 7" Models		
9565	Amber Lens—6 3/4" Diameter.....	1.04
9565-C	Crystal Lens—6 3/4" Diameter.....	1.04
9565-G	Green Lens—6 3/4" Diameter.....	1.04
9565-R	Red Lens—6 3/4" Diameter.....	1.04

Part No.	Description	List Price
CLEAR RUBY LENSES		
9565-RP	Ruby Lens, with "POLICE", for Super 7"	4.00

FIRED CERAMIC COLORED LENSES WITH WHITE LETTERING		
For Models S3, 4 & 7		
6061-BA	Blue Lens, with "CROSS & AMBULANCE" 5 1/8" Diam.	2.30
6061-RP	Red Lens, with "POLICE", 5 1/8" Diam.	2.30
6061-RS	Red Lens, with "SHERIFF", 5 1/8" Diam.	2.30

FLASHER UNITS		
9017	Flasher Unit, 6 Volt, 5 Amp. cap. for 50 C.P. or 30-35 W. bulbs.....	1.70
9017-A	Flasher Unit, 12 Volt, 5 Amp. cap. for 50 C.P. or 30-35 W. bulbs.....	2.00

SWITCHES		
4053-BU	Switch for Back-Up Light.....	1.38
4053-W	Switch for No. 3 Universal Warning Light	1.38
4853-C1	Automatic Switch for B U Lite.....	2.00
7053	Toggle Switch for Deck Light.....	1.05
9553	Switch, Fused 3-Pole, for Pair Lamps	1.38

4002-P	Bracket Washer46
4002-S1	Bracket Washer46
4002-S2	Bracket Washer46
4067	Ring Assembly, Incl. 9471-2.....	1.38
4068	Shell Assembly	4.14
4075	Adapter Ring, Incl. Ground Wire and No. 9683 Terminal.....	1.35
4102-A	Bracket for 1949 Ford.....	1.38
4102-B	Bracket for 1950 Ford.....	1.38
4102-B1	Reinforcing Plate for 4102-B.....	.17
4167	H1 Ring Assembly, incl. #4195 Ornament	1.70
4168	Shell Assembly	3.00
4175	H1 Adapter Ring.....	.70
4201	Outside Bracket Washer50
4206	Drilled Carriage Bolt, 1/8" USS x 1 3/4"50
4209	Bracket Washer40
4210	Rubber Cap20
4215	Bracket Gasket20
4252-F	Seine Twine Cable, 6'.....	.50
4268	Shell Assembly	3.00
4269	Inside Bracket Washer.....	.50
4567	H1 Ring, less ornament.....	1.38

Part No.	Description	List Price
4568	H1 Shell Assembly.....	3.00
4595	H1 Shell Ornament, complete with Unity Name Plate.....	.92
4806	Attaching Screw12
4810-A	Rubber Boot15
4815-J	Angle Washer25
4841-A	Ring Screw12
4867	Model "C" Ring	1.00
4869	Base, Socket & Bolt Assembly.....	1.00
4870	Gasket15
6295	Shell ornament, complete with Unity name plate92
6296	Shell ornament attaching screw.....	.07
6441	Screw, 4-36 x 1/8" Oval Head06
6467-F1	Ring Assembly	1.38
6471	Ring Screw06
6475-F1	Adapter Ring70
6498	Adapter Spring06
7002	3/4" Round Bracket.....	2.90
7002-A1	2" Square Bracket.....	2.90
7002-A2	Clamp Bracket	2.90
7015	Rubber Gasket20
7020	Pivot58
7102-B	Angle Bracket	2.90
7221	Pivot Housing	1.15
7352	Radio Shielded Cable—90".....	1.00
9002-S	Bracket Arm—1 3/4" Height—2" between hole centers.....	.58
9002-T	"T" Bracket Arm58
9003	Bottom Bracket Clamp29
9003-A	Bottom Bracket Clamp with 1/2" opening for thick bars (Pairs with Part No. 9500-A)29
9004	Bracket Cup Washer17
9005	Cap Screw 1/8"—14 x 117
9005-D	Drilled Cap Screw—1/8"-14 x 1".....	.40
9006	Carriage Bolt, 1/8" USS x 4".....	.16
9006-B	Carriage Bolt, 1/8" USS x 6".....	.20
9006-L	Carriage Bolt, 1/8" USS x 1 3/4".....	.08
9006-P	Cap Screw, 1/8" USS x 1 3/4".....	.08
9006-S	Cap Screw, 1/8" USS x 2".....	.08
9007	Hex Nut, 1/8" USS06
9007-T	Milled Hex Nut 1/8" USS10
9009-D	Special Flat Washer, 1/8" I. D.04
9009-S	1/8" Internal Lock Washer04
9010-A	Rubber Grommet07
9052	Wire Assembly69
9052-C	Wire Assy.—B-U Lights	1.50
9082	Wire Clamp35
9083	Open end terminal14
9084	Round hole terminal14
9090	Clamp Extension Bushing23
9091	Rubber Grommet for "B" Bracket21
9169	Reflector	2.07
9204	"T" Bracket Mounting Washer40
9204-A	"T" Bracket Mounting Bushing40
9382	"Y" Connector23
9404	"O2-F" Bracket Washer40
9444	Bulb Socket, for pre-focused bulbs58
9467	Ring Assembly Incl. Part 9471-2.....	1.38
9468	Shell Assembly	4.14
9468-D	Shell Assembly Deck Light.....	6.00
9468-2A	F1 Shell Assembly	4.14
9471-2	Ring Screw & Nut, 8-32 x 1/8".....	.14
9500	Upper Bracket Clamp29
9500-A	Upper Bracket Clamp with 1/2" opening for thick Bars (Pairs with Part No. 9003-A)29
9509	Lock Washer 1/8"03
9582	Bakelite Connector17
9604	Bracket Washer35
9604-A	Bracket Washer35
9668-C	Shell Assy. for Warning Light.....	6.90
9668-D	Shell Assy. for AG Deck Light.....	7.75
9675	Adapter Locating Ring, including Ground Wire and No. 9683 Terminal	1.35
9683	Glaseal Bulb Terminal.....	.17

UNITY MANUFACTURING CO., 2909 Indiana Ave., CHICAGO 16, ILL.