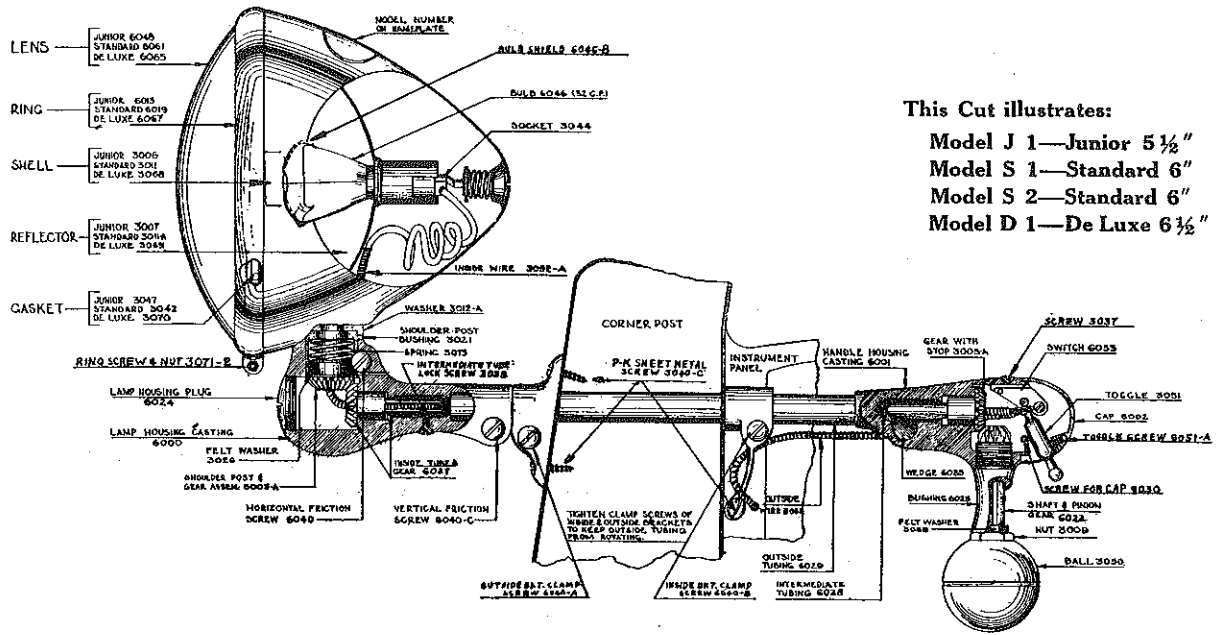


Model J-1, S-1, S-2 and D-1 Safetylight



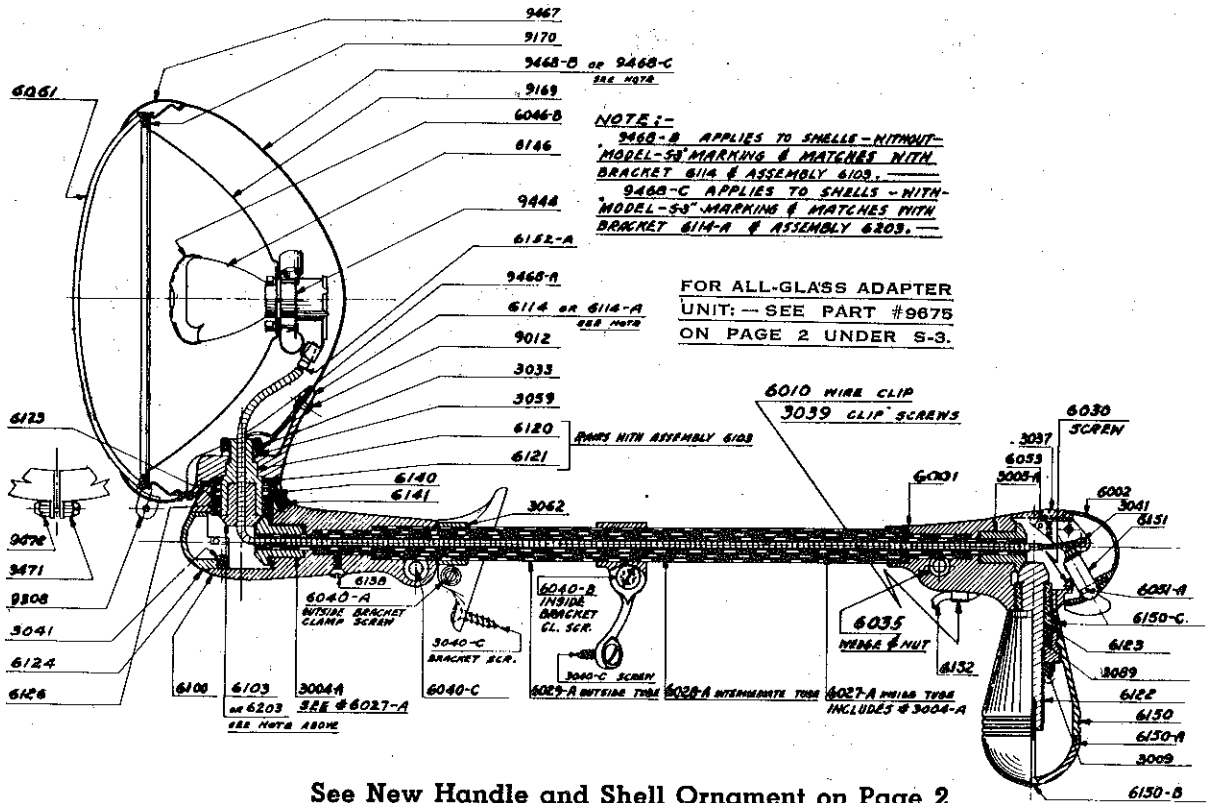
This Cut illustrates:
 Model J 1—Junior 5 1/2"
 Model S 1—Standard 6"
 Model S 2—Standard 6"
 Model D 1—De Luxe 6 1/2"

NOTE: Models "J" "S" "D"—Same as cut shown except use old handle housing as illustrated on Sportlight Cut. Safetylight without model number on name plate has old lamp and handle castings as illustrated on Sportlight Cut.

See Sportlight Cut on Page 3

SEE PAGES 3 and 4 FOR PRICES AND DESCRIPTIONS OF PARTS

Model S-3 Safetylight

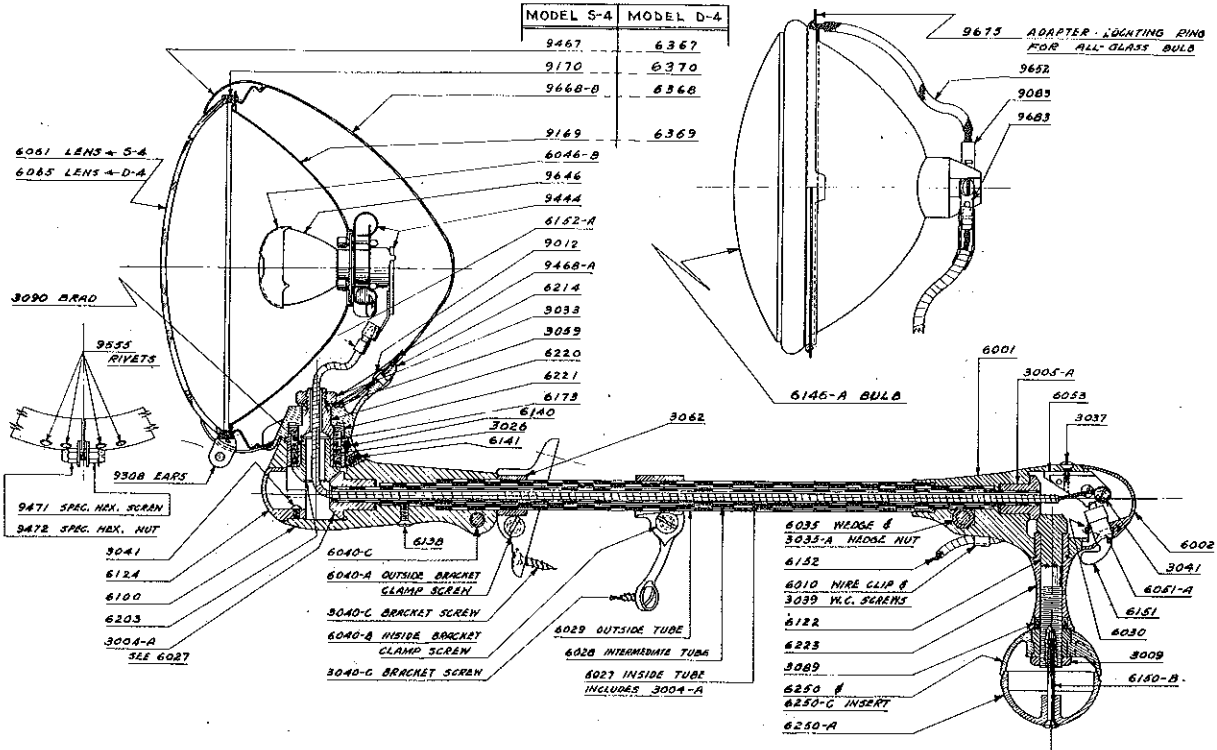


See New Handle and Shell Ornament on Page 2

SEE PAGES 3 and 4 FOR PRICES AND DESCRIPTIONS OF PARTS

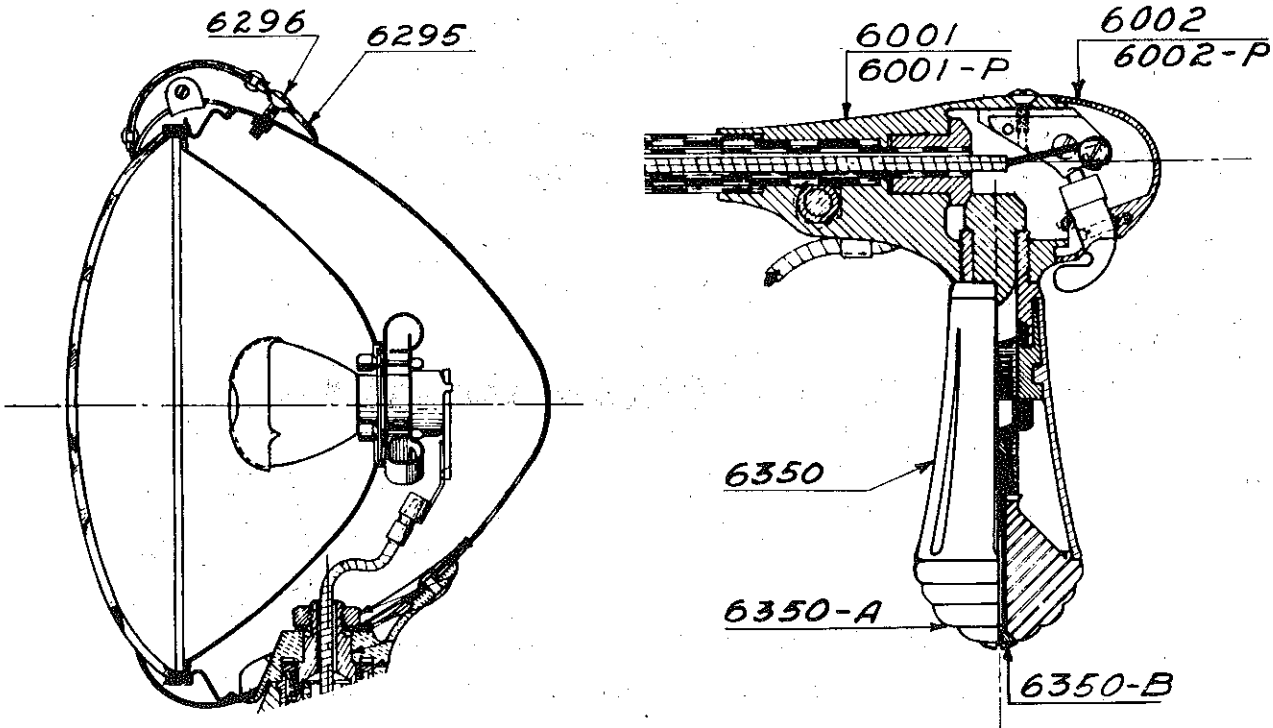
UNITY MANUFACTURING CO., 2909 Indiana Ave., CHICAGO, ILL.

Model S-4 (No. 100 & 150) and D-4 (No. 200 & 250) Safetylight



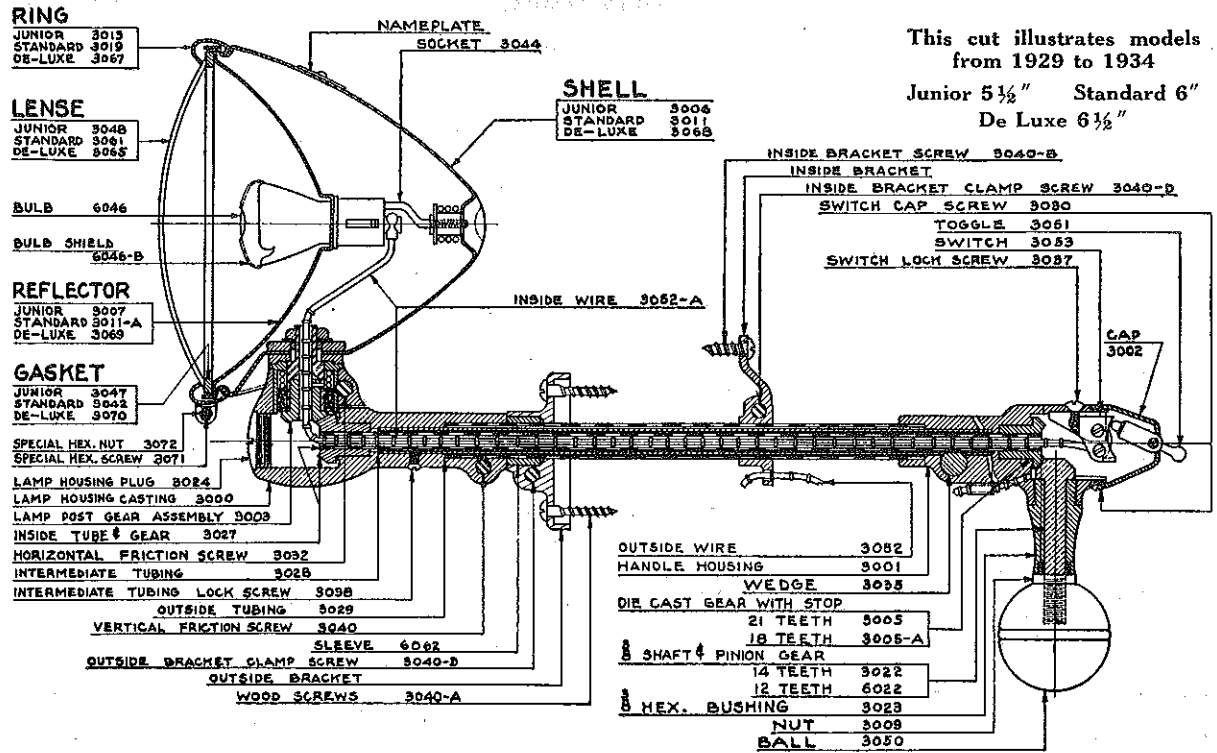
SEE PAGES 3 and 4 FOR PRICES AND DESCRIPTIONS OF PARTS

Below Are Illustrations Showing Parts Numbers of Shell Ornaments and New Handles For S-3, S-4 and D-4 Models



SEE PAGES 3 and 4 FOR PRICES AND DESCRIPTIONS OF PARTS

Junior, Standard, DeLuxe Sportlights



This cut illustrates models from 1929 to 1934

Junior 5 1/2" Standard 6" De Luxe 6 1/2"

NOTE: On older models please send light directly to factory. Estimate on cost of repairs will be sent. No labor charge will be made at factory on such repair jobs.

Parts Prices (U. S. A.)

PLEASE ORDER BY PART NUMBER — PRICES SUBJECT TO CHANGE WITHOUT NOTICE.

Part No.	List	Part No.	List
3000	Lamp housing casting.....	3040-C	P.K. Sheet Metal Bracket Screw.....
3001	Handle housing casting.....	3040-D	Bracket clamp screw.....
3002	Switch Cap assembly (Incl. 3051 toggle & 2-3030 screws).....	3041	Switch Contact Screw & Housing Plug Screw.....
3003	Lamp Post Gear Ass'ly—21 teeth.....	3042	Synthetic Rubber Gasket, Std. Sportlight and S & S-1, 1/8" Thick.....
3003-A	Shoulder Post Gear Ass'ly—18 teeth.....	3044	Bulb socket.....
3005	Gear with stop—21 teeth.....	3047	Synthetic Rubber Gasket, Jr. Sportlight and J & J-1, 1/8" Thick.....
3005-A	Gear with stop—18 teeth.....	3048	Lens for Jr. Sportlight, 5 1/4" O.D.....
3006	Shell for Jr. Sportlight & J & J-1, 5 1/2".....	3048-RP	Clear Ruby Lens with "POLICE" on inside face—for Jr. Sportlight.....
3007	Reflector for Jr. Sportlight & J & J-1, 5 1/2".....	3050	Handle Ball—Specify Color—1 Piece.....
3009	Handle Lock Nut.....	3051	Switch toggle only.....
3011	Shell for Std. Sportlight and S & S-1, 6".....	3052	Outside wire.....
3011-A	Reflector for Std. Sportlight and S & S-1, 6".....	3052-A	Inside wire.....
3012	Washer.....	3053	Switch assembly.....
3013	Ring for Jr. Sportlight, incl. #3071-2.....	3059	Lock Washer for Shoulder Bushing.....
3019	Ring for Std. Sportlight, incl. #3071-2.....	3061	Lens for Std. Sportlight, 5 3/4" O. D.....
3021	Shoulder Bushing.....	3061-RP	Clear Ruby Lens with "POLICE" on inside face—for Std. Sportlight.....
3022	Handle shaft & pinion gear—14 teeth.....	3062	Shaft sleeve for Bracket.....
3023	Handle sleeve & bushing.....	3065	Lens for Deluxe Sportlight 6 1/4" O. D.....
3024	Lamp housing plug.....	3067	Ring for Deluxe Sportlight, incl. #3071-2.....
3026	Felt Washer.....	3068	Shell for Deluxe Sportlight and D & D-1 Lights.....
3027	Inside tube & gear—11 1/2" overall, 3/8" O.D. tube & 21 tooth gear.....	3069	Reflector for Deluxe Sportlight and D & D-1 Lights.....
3029	Outside tubing—8 7/8" overall.....	3070	Synthetic Rubber Gasket, D & D-1 1/8" Thick.....
3029-A	Outside tubing—7 1/8" overall.....	3071-2	Ring Screw & Nut, 6-32 x 9-16".....
3030	Switch cap screw.....	3073	Shoulder Spring.....
3032	Horizontal Friction screw.....	3089	Felt Washer.....
3033	Nut for Shoulder Post.....	6000	Lamp Housing casting.....
3035	Handle Wedge & Nut.....	6001	Handle Housing Casting.....
3037	Screw to Switch.....	6001-P	Plastic Handle Housing Casting.....
3038	Intermediate tube lock screw.....	6002	Switch Cap Assembly, including Parts Nos. 6051-A, 6151 & 2-6030.....
3039	Wire Clip Screws.....	6002-P	Same as 6002, with Plastic Cap.....
3040	Vertical friction screw.....	6010	Wire Clip.....
3040-A	Wood screw—3/8" long.....		
3040-B	Wood screw—1/4" long.....		

PARTS LIST CONTINUED ON PAGE 4

Parts Prices (U. S. A.)—CONTINUED

PLEASE ORDER BY PART NUMBER—PRICES SUBJECT TO CHANGE WITHOUT NOTICE.

Part No.	List	Part No.	List
6013	Ring for J & J-1 light incl. #3071-2 .90	6138	Intermediate Tube Lock Screw..... .01 net
6019	Ring for S & S-1 light incl. #3071-2 1.00	6140	Wedge Pin01 net
6022	Handle Shaft & Pinion Gear—12 teeth .60	6141	Vertical Friction Set Screw..... .15
6022-A	Handle Shaft & Pinion—1 $\frac{1}{8}$ " overall .60	6141-W	Wrench for Set Screw #6141..... .10
6023	Handle sleeve & bushing..... .30	6146	6-8 Volt, 32 C.P. Bulb, Mazda 1323 .27 net
6023-A	Handle Sleeve & Bushing— $\frac{3}{4}$ " overall .30	6146-A	Glaseal 6 Volt Spotlight Bulb, Mazda #4524..... 2.25
6024	Lamp Housing plug..... .25	6146-E	32 Volt, 50 C.P. Bulb, Prefocused Base..... 1.10 net
*6027	Inside tube & gear—12 $\frac{1}{4}$ " overall, $\frac{3}{8}$ " O.D. tube & 18 tooth gear..... 1.00	6146-C	18-24 Volt, 50 C.P. Bulb, Prefocused Base..... .95 net
*6027-A	Inside tube & gear—11 $\frac{1}{2}$ " overall, $\frac{3}{8}$ " O.D. tube & 18 tooth gear..... 1.00	6150	Upper Sec. Handle & Insert 6150-C .50
*6027-B	Inside tube & gear—9 $\frac{3}{4}$ " overall, $\frac{3}{8}$ " O.D. tube & 18 tooth gear..... 1.00	6150-A	Lower Section Handle..... .25
*6027-D	Inside tube & gear—10 $\frac{1}{8}$ " overall, $\frac{3}{8}$ " O.D. tube & 18 tooth gear..... 1.00	6150-B	Handle Screw05
*6028	Intermediate tubing—10 $\frac{5}{8}$ " overall... .50	6151	Switch Toggle only..... .30
*6028-A	Intermediate tubing—9 $\frac{7}{8}$ " overall... .50	6152	Outside Wire35
*6028-B	Intermediate tubing—8 $\frac{7}{8}$ " overall... .50	6152-A	Inside Wire35
*6028-D	Intermediate tubing—8 $\frac{1}{8}$ " overall... .50	6152-B	Inside Wire for Utility Spotlight..... .35
*6029	Outside tubing—8 $\frac{5}{8}$ " overall..... .90	6173	Shoulder Spring05
*6029-A	Outside tubing—7 $\frac{7}{8}$ " overall..... .90	6203	Shoulder Post Assem., incl. 3003-A, 18 tooth gear, 6220 & 3026..... .60
*6029-B	Outside tubing—6 $\frac{1}{8}$ " overall..... .90	6220	Shoulder Post—See #6203..... —
*6029-D	Outside tubing—6 $\frac{1}{8}$ " overall..... .90	6221	Shoulder Bushing35
6030	Screw for cap..... .01 net	6223	Handle Sleeve & Bushing..... .30
6035	Handle wedge & nut..... .15	6250	Upper Section Ball Handle & Insert 6150-C..... .50
6040	Horizontal Friction Screw..... .06	6250-A	Lower Section Ball Handle..... .25
6040-A	Outside Bracket clamp screw— $\frac{1}{8}$ " long..... .06	6295	Shell Ornament, complete with Unity Name Plate..... .70
6040-B	Inside Bracket clamp screw— $\frac{3}{8}$ " long..... .06	6296	Shell Ornament Attaching Screw..... .05
6040-C	Vertical Friction screw..... .06	6350	Upper Section of Handle and insert #6350-C..... .50
6046	6-8 volt—32 c.p. bulb No. 1133..... .19 net	6350-A	Lower Section of Handle..... .25
6046-A	6-8 volt—50 c.p. bulb No. 1183..... .27 net	6350-B	Handle Screw05
6046-B	Bulb shield..... .15	6367	Ring for D-4 Light, Incl. #9471-2... 1.10
6046-C	12-16 volt—32 c.p. bulb No. 1143..... .30 net	6368	Shell Assembly for D-4 Light— incl. Parts Nos. 6214 & 9468-A... 3.00
6046-D	12-16 volt—50 c.p. bulb No. 1195 .45 net	6368-U	Shell Assembly for D-4 (#250) Utility Light..... 3.00
6046-E	32 volt—50 c.p. bulb (R.P.11)..... 1.20 net	6369	Reflector for D-4 Light..... 1.50
6048	Lens for J & J-1 light, 5 $\frac{3}{8}$ " O.D..... .40	6370	Synthetic Rubber Gasket for D-4, $\frac{1}{8}$ " Thick..... .17
6048-R	Clear red lens for Model J & J-1 light 1.75	9146-A	6-8 Volt, 50 C.P. Bulb, Mazda 1503 .35 net
6051-A	Toggle Screw only..... .01 net	9146-C	12-16 Volt, 32 C.P. Bulb, Maz. 1327 .45 net
6053	Switch assembly..... .40	9146-D	12-16 Volt, 50 C.P. Bulb, Maz. 1507 .55 net
6061	Lens for S-1-2-3-4 Lights, 5 $\frac{3}{8}$ " Diam. .40	9169	Reflector for S-4 Light..... 1.50
6061-A	Clear Amber Lens, 5 $\frac{3}{8}$ " Diameter..... 1.10	9170	Synthetic Rubber Gasket— S-3, S-4, $\frac{1}{8}$ " Thick..... .16
6061-BA	Blue Lens, with "CROSS" and "AMBULANCE" in White..... 1.75	9444	Bulb Socket40
6061-F	Clear Ruby Lens, with "FIRE" in White..... 1.75	9467	Ring for Model S-4, inc. 9471-2..... 1.00
6061-R	Clear Ruby Lens, 5 $\frac{3}{8}$ " Diameter..... 1.75	9468-B	Shell Assem., incl. 6114 & 9468-A 3.00
6061-RP	Clear Ruby Lens with "POLICE" on inside face—5 $\frac{3}{8}$ "..... 3.00	9468-C	Shell Assem. incl. 6114-A & 9468-A 3.00
6061-RS	Clear Ruby Lens with "SHERIFF" on inside face—5 $\frac{3}{8}$ "..... 3.00	9471-2	Ring Screw & Nut, 8-32 x 7-16"..... .10
6061-RHP	Clear Ruby Lens with "HIGHWAY PATROL" on inside face— 5 $\frac{3}{8}$ " Diameter..... 3.00	9646	6-8 Volt, 32 C.P. Bulb, Mazda 1209 .27 net
6061-RPS	Clear Ruby Lens, with "POLICE STOP" on inside face— 5 $\frac{3}{8}$ " Diameter..... 3.00	9668-B	Shell Assembly, Model S-4, includ- ing Parts Nos. 6214 & 9468-A... 3.00
6065	Lens for D, D-1, D-4 Lights, 6 $\frac{1}{4}$ " Diameter..... .40	9668-BU	Shell Assembly for S-4 (#150) Utility Light..... 3.00
6065-A	Clear Amber Lens, 6 $\frac{1}{4}$ " Diameter..... 1.10	9675	Adaptor Locating Ring, including Ground Wire #9652 and Terminals No. 9083 & Two No. 9683..... .50
6065-R	Clear Ruby Lens, 6 $\frac{1}{4}$ " Diameter..... 1.75	All Brackets, except No. 100-7..... 1.75 Set	
6065-RP	Clear Ruby Lens, with "POLICE" on inside face—6 $\frac{1}{4}$ "..... 3.00	Outside Bracket 1.00	
6065-RS	Clear Ruby Lens with "SHERIFF" on inside face—6 $\frac{1}{4}$ "..... 3.00	Inside Bracket75	
6067	Ring for D & D-1 light, Incl. #3071-2..... 1.10	Open Car Brackets..... 1.75	
6091	Fuse Holder, complete with 14 Amp. Fuse..... .25	Bracket No. 100-7..... 3.00 Set	
6100	Lamp Housing Casting..... 2.00	Bracket Locating Fixture & Pointer..... 1.50 net	
6103	Shoulder Post Assembly, including 3003-A, 18 tooth gear, 6120 & 6126 .60	Special $\frac{1}{2}$ " Twist Drill Bit—10" Long..... 4.25 net	
6120	Shoulder Post—See 6103..... —	Resilvering Reflector..... 1.00 net	
6121	Shoulder Bushing35		
6122	Handle Shaft & Pinion Gear—12 teeth—tapped end..... .60		
6123	Handle Sleeve & Bushing..... .30		
6124	Lamp Housing Plug..... .25		

"SUB-ASSEMBLIES"

Handle Housing Assembly, complete with Switch, Pinion, Sleeve & Handle (Order by Handle Housing Number, e.g., #6001 Handle Housing Assembly)..... 4.50
Head Housing Assembly, includes Shell Assembly, Reflector, Bulb, Socket, Gasket, Lens & Ring—order by Model:
Model J or J1..... 6.50
" S, S1, S3, S4..... 7.00
" D, D1, D4..... 9.00

On Jobber orders for Parts Only, totaling less than \$3.00 wholesale, a service charge of 25¢ will be added.
* If other length tubes are desired—add 50¢ list per tube and specify overall length wanted.

UNITY MANUFACTURING CO., 2909 Indiana Ave., CHICAGO, ILL.