

106
10-1-56

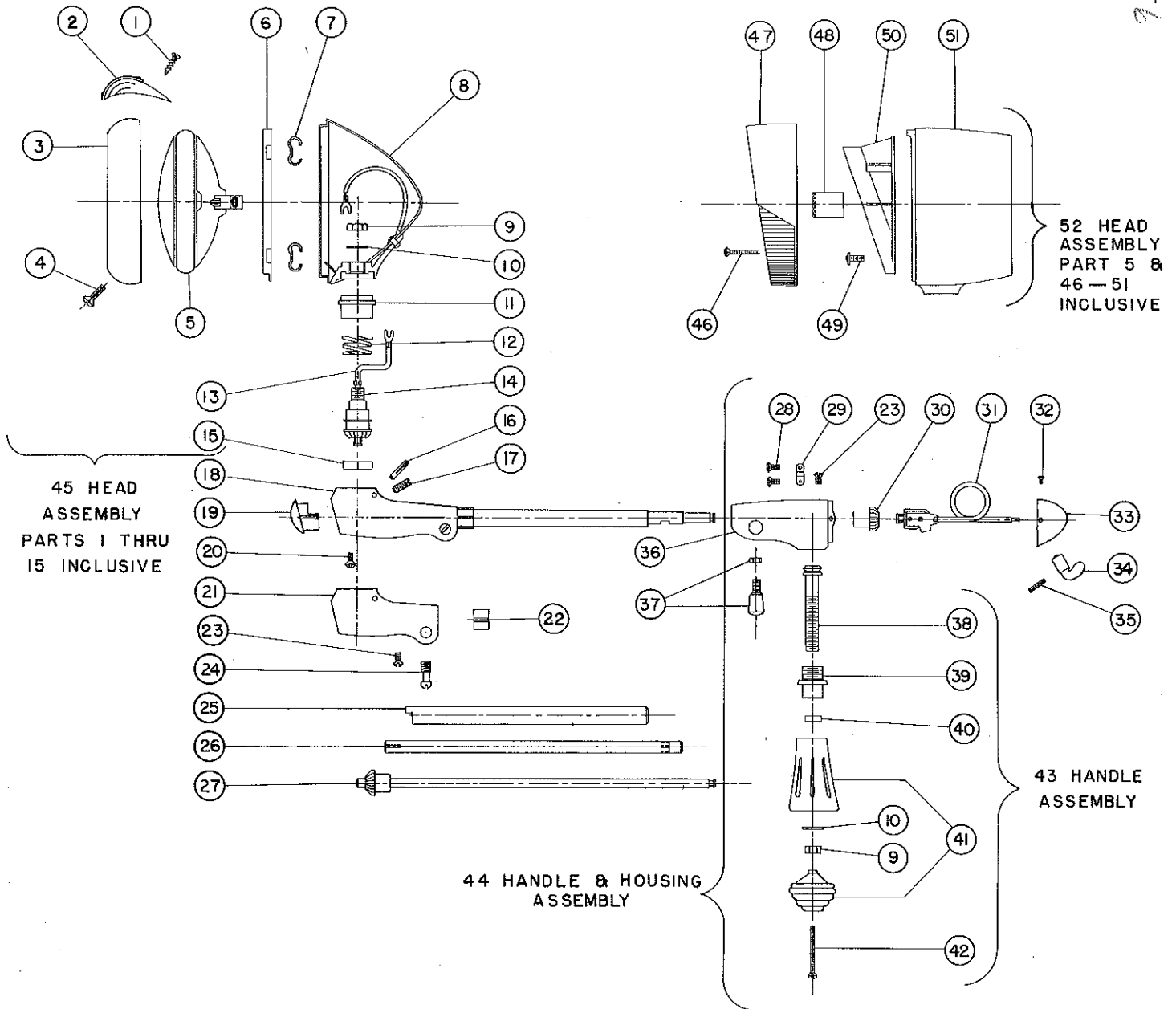
106
10-1-56

SEALED BEAM SAFETY & ROOF UTILITY LIGHTS

Model S6—No's. 125, 225, 175, 275

Model H1—No's. 50, 250

Model H2C—No. RM255



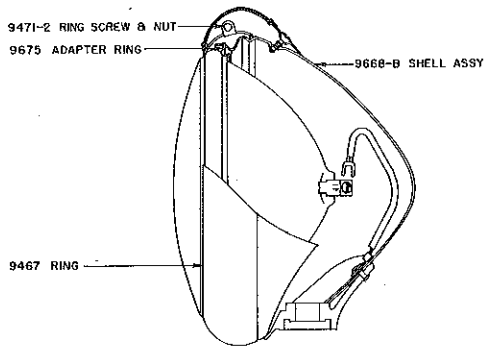
PART NUMBERS FOR THE ABOVE DRAWING ARE ON PAGE THREE

UNITY MANUFACTURING CO., 2909 Indiana Ave., CHICAGO 16, ILL.

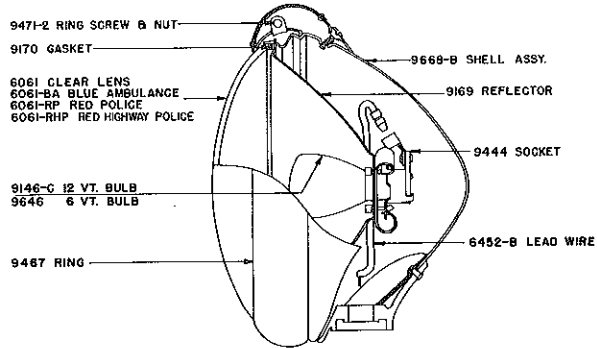
Printed in U. S. A.

Form No. 106

**MODEL S5 SEALED BEAM HEAD
6" DIAMETER**



**MODEL S5 LENS AND REFLECTOR HEAD
6" DIAMETER**



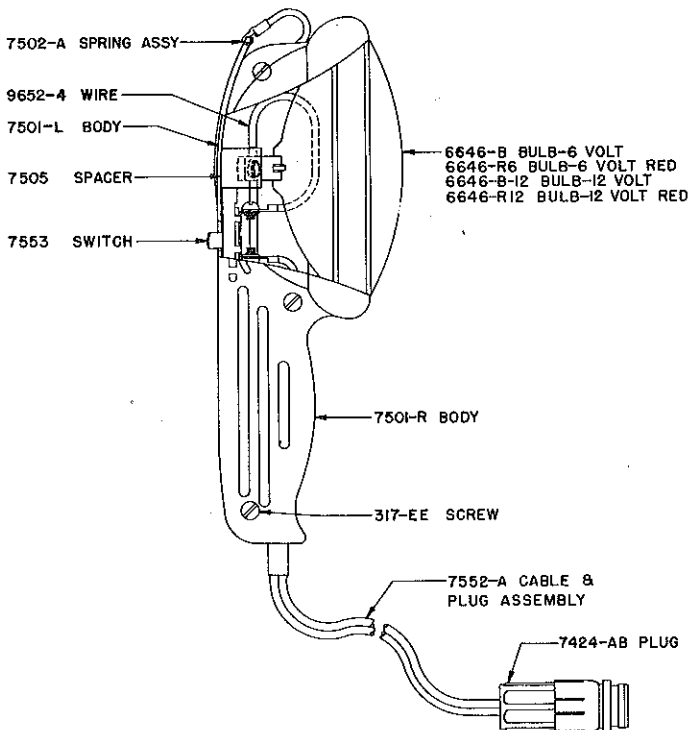
MODEL S5 HEAD ASSEMBLY PARTS AS SHOWN ABOVE

Part No.	Description	Price
6061	Clear Lens, S5, 5 1/8" O.D.	.67
6061-BA	Blue Lens w/"Ambulance and Cross"	3.67
6061-RP	Red Lens w/"Police", Model S5	3.67
6061-RHP	Red Lens w/"Highway Patrol"	3.67
9170	Rubber Gasket, Model S5 and H	.18
	(H Model—cut 19 1/2" to fit)	
4075	Adapter Ring Model H	1.44
9675	Adapter Ring Model S5	1.44
4067	Ring Assembly Model H	1.44
9467	Ring Assembly Model S5	1.67

Part No.	Description	Price
9444	Socket Assembly	1.00
9169	Reflector	3.00
6668	Model H Shell Assembly	4.22
9668-B	Model S5 Shell Assembly	4.44
9471-2	Ring, Screw and Nut	.33
6452-B	Head Post Wire S5 Model	.13

BULBS

9146-C	12-16V, 32 C.P., GE #1327	.85
9646	6-8V, 32 C.P., GE #1209	.75



No. 770, 6V and 772, 12V UNILITE

Part No.	Description	Price
317-EE	Connecting Screw	.04
6646-B	6V Bulb—GE #4516	2.50
6646-B12	12V Bulb—GE #4416	2.65
6646-R6	6V Red Bulb—GE #4516-R	4.25
6646-R12	12V Red Bulb—GE #4416-R12	4.65
7424-AB	Unilite Plug	1.11
7501-L	Left Body Section	3.00
7501-R	Right Body Section	3.00
7502-A	Spring Assembly	.44
7505	Rubber Spacer	.13
7552-A	Cable Assy. with 7424-AB Plug	2.00
7553	Switch	1.33
9652-4	Wire Assembly	.09

On Wholesale orders for Parts Only, totalling less than \$3.00 wholesale, a Service Charge of 25¢ will be added.

EFFECTIVE OCTOBER 1, 1956
PARTS PRICES (U.S.A.) PLEASE ORDER BY PART NUMBER
PRICES SUBJECT TO CHANGE WITHOUT NOTICE

*Dwg. No.	Part No.	Description	Price
1	6296	Ornament Screw	.07
2	6295	Ornament Assembly (Unity)	1.00

RINGS

3	4567	Model H1	1.78
	6467	Model S6	1.44
	6467-U	Model S6 (Rooflight)	1.44
4	6471	Ring Screw, H1 and S6	.11

SEALED BEAM BULBS

5	6446	GE #4535, 6V-6", 30 Watt	2.70
	6446-A	GE #4435, 12V-6", 30 Watt	3.25
	6446-R6	GE #4575, 6V-6" Red, 30 Watt	4.80
	6446-R12	GE #4475, 12V-6" Red, 30 Watt	4.80
	6646	GE #4515, 6V-5", 30 Watt	2.60
	6646-12	GE #4405, 12 V-5", 30 Watt	3.50
	6646-R6	GE #4516-R, 6V-5" Red, 30 Watt	4.25
	6646-R12	GE #4416-R, 12V-5" Red, 30 Watt	4.65
	9646-T	GE #4013, 6V-6", 25 Watt	2.50
	9646-T12	GE #4413, 12V-6", 25 Watt	2.65
	16346-24	GE #4530, 24V-6", 120 Watt	5.00

ADAPTER RINGS

6	4175	Model H1	.78
	6475	Model S6	.78
7	6498	Lock Spring for Adapter Rings	.04

SHELL ASSEMBLIES AND PARTS

8	6568	Model S6	4.44
	6568-U	Model S6 (Rooflight)	4.44
	6768	Model H1	4.22
9	6209	Nut, Handle and Head Post	.08
10	3059	External Lock Washer	.04
11	6421	Head Post Bushing	.78
12	6473	Head Post Spring	.09
13	6452	Head Post Wire Assembly	.13
14	6403-A	Head Post Assembly	1.78
15	3026	Felt Washer (Head Post)	.16
16	6140	Wedge Pin	.04
17	6141-B	Vertical Friction Set Screw	.11

HEAD HOUSING AND TUBE ASSEMBLY

18	6710-A	"A" Lgh. Head and Tube Assy	7.67
	6710-B	"B" Lgh. Head and Tube Assy	7.11
	6710-GM	"GM" Lgh. Head and Tube Assy	8.44
	6710-V	"V" Lgh. Head and Tube Assy	8.00
	6715-C	"C" Lgh. Head and Tube Assy	8.00
	6715-F	"F" Lgh. Head and Tube Assy	9.67
	6715-N	"N" Lgh. Head and Tube Assy	6.00
	6715-P	"P" Lgh. Head and Tube Assy	8.67
19	6424	Plug—Head Housing	.44
20	6441	Screw—Plug 4-36 x $\frac{1}{8}$ " O.H.	.04
21	6100	Regular Head, Housing	3.67
	6100-H	Short Head Housing	3.67
22	3062	Split Bushing	.33
23	6412	Screw for Tube and Switch	.06
24	6040-A	Outside Tube Locking Screw $\frac{1}{8}$ "	.33

6029 — OUTSIDE TUBINGS

25	6029-A	7 $\frac{7}{8}$ " "A" Length	1.33
	6029-B	6 $\frac{1}{8}$ " "B" Length	1.33
	6029-CS	11 $\frac{3}{8}$ " "C" Length	1.78
	6029-F	17" "F" Length	2.44
	6029-P	10 $\frac{3}{8}$ " "GM" Length	1.44

*Dwg. No.	Part No.	Description	Price
	6029-091	5 $\frac{5}{8}$ " "N" Length	1.33
	6029-Z	14" "P" Length	2.00
	6029-V	8 $\frac{7}{8}$ " "V" Length	1.33

6428 — INTERMEDIATE TUBINGS

26	6428-A	9 $\frac{7}{8}$ " "A" Length	.88
	6428-B	8 $\frac{1}{8}$ " "B" Length	.88
	6428-CS	13 $\frac{3}{8}$ " "C" Length	1.00
	6428-FS	18 $\frac{3}{8}$ " "F" Length	1.33
	6428-P	12 $\frac{3}{8}$ " "GM" Length	1.00
	6428-091	7" "N" Length	.88
	6428-Z	15 $\frac{3}{8}$ " "P" Length	1.11
	6428-V	10 $\frac{7}{8}$ " "V" Length	.88

6427 — INSIDE TUBING & GEAR ASSEMBLY

27	6427-A	12" "A" Length	2.22
	6427-B	10 $\frac{1}{4}$ " "B" Length	2.11
	6427-C	15 $\frac{1}{2}$ " "C" Length	2.67
	6427-F	20 $\frac{1}{2}$ " "F" Length	3.11
	6427-P	14 $\frac{1}{2}$ " "GM" Length	2.56
	6427-091	9 $\frac{1}{8}$ " "N" Length	2.00
	6427-Z	17 $\frac{1}{2}$ " "P" Length	2.78
	6427-V	13" "V" Length	2.33

HANDLE ASSEMBLY AND PARTS

28	3039	Wire Clip Screw	.04
29	6010	Wire Clip	.04
30	6405	Gear (Handle)	.44
31	6453	Switch Ass'y Incl. 6552 Wire	1.44
32	6030	Switch Cap Screw	.08
33	6002	Switch Cap	1.89
34	6151	Toggle Assembly	1.22
35	6051-A	Toggle Screw	.11
36	6001	Handle Housing	2.78
37	6035		
	& 3035-A	Handle Wedge and Nut	.33
38	6122	Pinion	1.00
39	6123	Handle Bushing	1.00
40	3089	Felt Washer (Handle)	.11
41	6450	Upper and Lower	
	& 6350-A	Plastic Handle	1.22
42	6350-B	Handle Screw	.11
43	6750	Handle Assembly	3.00
44	6701	Handle and Housing Assembly	8.33

HEAD ASSEMBLIES

45	6770-6	5", 6 Volt Head Assembly	10.78
	6770-12	5", 12 Volt Head Assembly	11.11
	6570-6	6", 6 Volt Head Assembly	10.78
	6570-12	6", 12 Volt Head Assembly	11.11
46	413-DM-1	Ring Screw	.20
47	6367-C	Ring (Die Cast)	3.00
48	6371	Bulb Spring	.11
49	311-DC-1	Screw—Mirror Housing	.11
50	6870-N.G.	Mirror Assembly (Non-Clare)	3.11
51	6368-C	Shell (Die Cast)	4.67
52	6370-C	Head Assy. w/Bulb, Model H2-C	14.22

BRACKETS ATTACHING AND INSTALLATION PARTS

#3	Inside Bracket Assembly	1.05
#7	Inside Bracket Assembly	1.78
6508-18	$\frac{1}{2}$ " x 18" Twist Drill	Net 9.15
3040-C	#10 x $\frac{5}{8}$ " Sh. Mt. Screw	.11
3040-H	#10 x $\frac{1}{2}$ " Sh. Mt. Screw	.04
9010-A	Wire Grommet	.06

*NOTE—DO NOT USE the chronological number as listed above when ordering parts; these numbers are for reference to drawing on page one.

