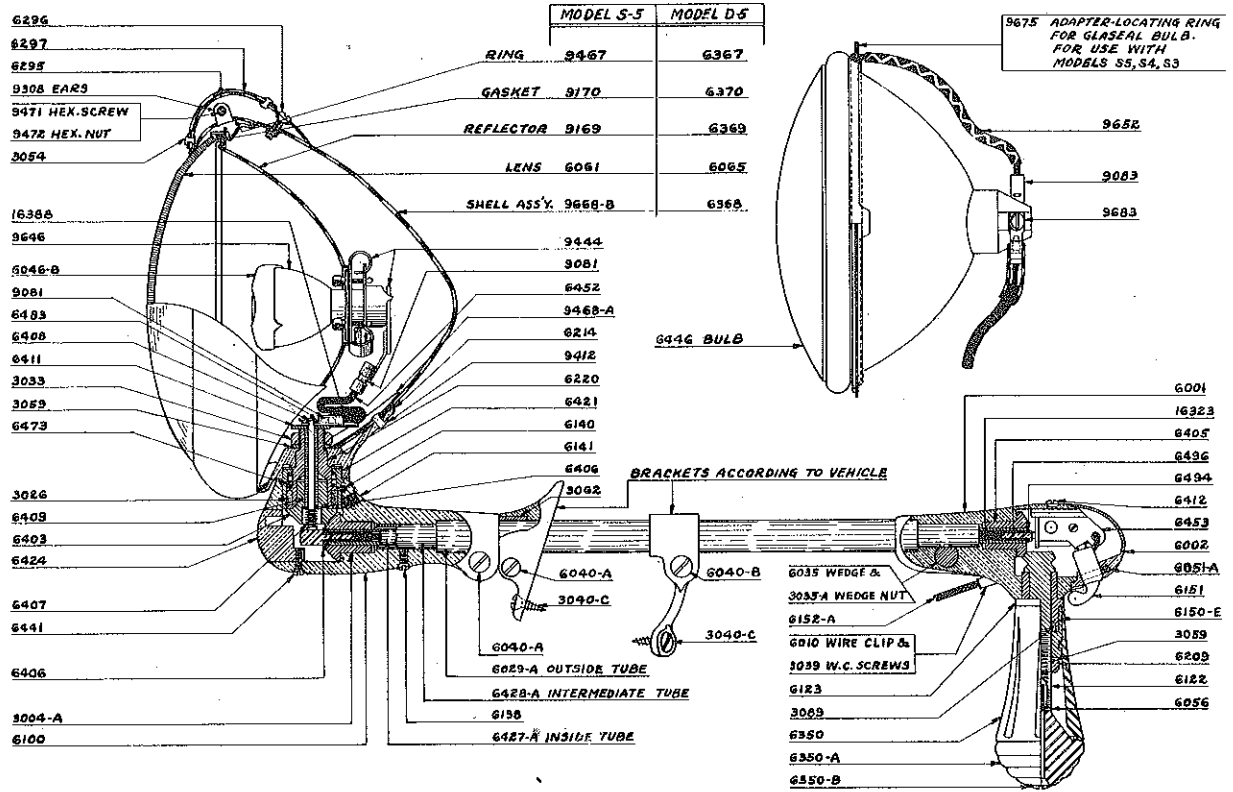
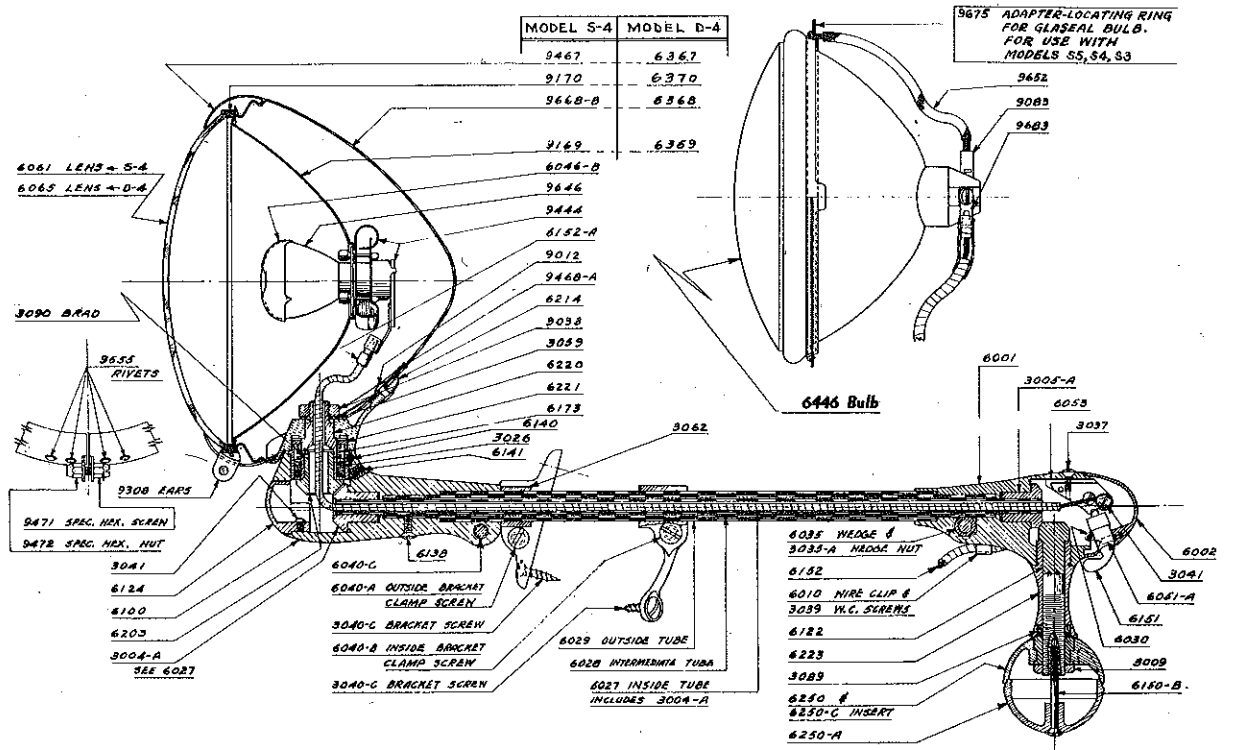


# Model S-5 (No. 100 and 150) and D-5 (No. 200 and 250) Safetylight



SEE PAGES 3 and 4 FOR PRICES AND DESCRIPTIONS OF PARTS

# Model S-4 and D-4 Safetylight—1939 to 1944

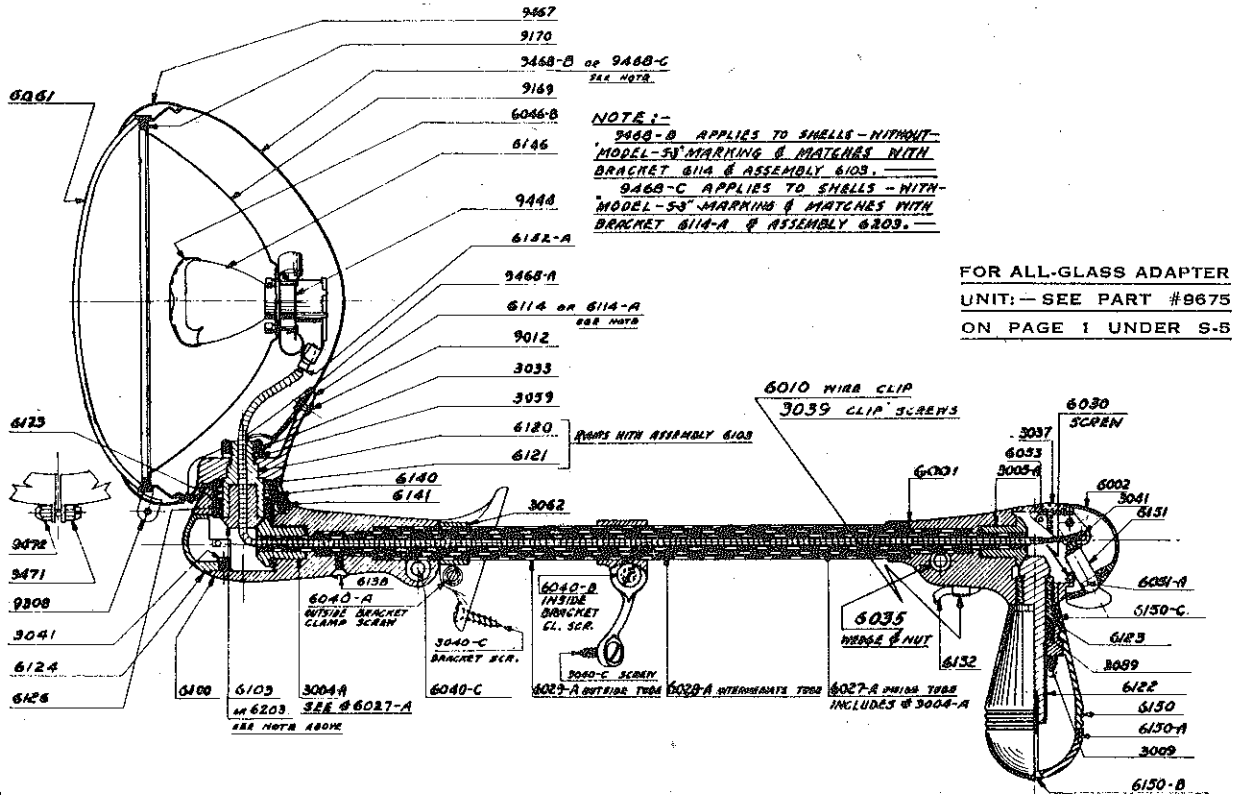


See New Handle and Shell Ornament Above on S-5

SEE PAGES 3 and 4 FOR PRICES AND DESCRIPTIONS OF PARTS

UNITY MANUFACTURING CO., 2909 Indiana Ave., CHICAGO 16, ILL.

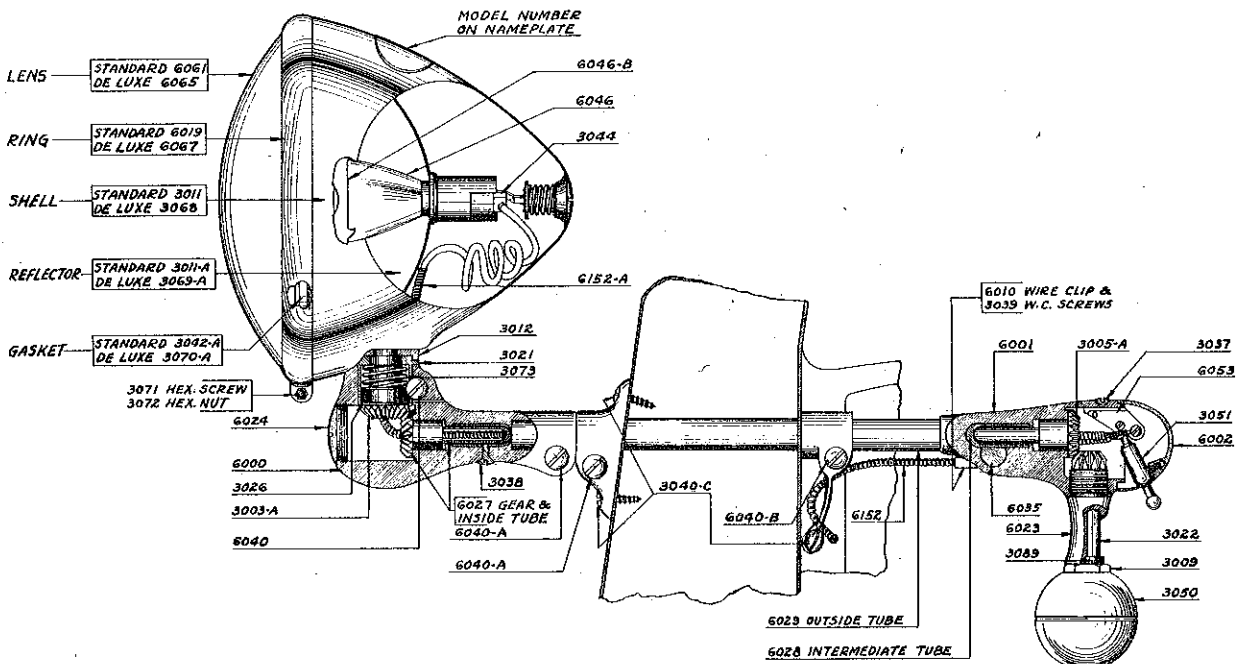
# Model S-3 Safetylight—1939 to 1944



See New Handle and Shell Ornament on Page 1 on S-5

SEE PAGES 3 and 4 FOR PRICES AND DESCRIPTIONS OF PARTS

# Model S-1, S-2 and D-1 Safetylight—1934 to 1939



SEE PAGES 3 and 4 FOR PRICES AND DESCRIPTIONS OF PARTS

Illustrations of all Unity Safetylights built since 1934 appear on Pages 1 and 2. Repair parts for Unity Sportlights built prior to 1934 are no longer available, except lenses and gaskets, which appear below at beginning of Parts Lists.

†—One Dagger before Parts Number indicates that such part is packed and labeled ONE TO A CARTON.

††—Two Daggers before Parts Number indicates that such part is packed and labeled in STANDARD PACKAGE OF TEN PIECES. Where less than ten of such parts are ordered, they are packed in marked paper bags.

Parts with no daggers before them are either individually wrapped or packed in marked paper bag.

N. B.—On Jobber orders for Parts Only, totalling less than \$3.00 wholesale, a Service Charge of 25¢ will be added.

EFFECTIVE OCTOBER 1, 1946

PARTS PRICES (U.S.A.) PLEASE ORDER BY PART NUMBER

WHENEVER POSSIBLE, PLEASE ORDER IN STANDARD PACKAGE MULTIPLES.

PRICES SUBJECT TO CHANGE WITHOUT NOTICE

Following are gaskets and lenses for pre-1934 Model **SPORTLIGHTS**

Part No.	Description	List	Part No.	Description	List
††3042	Synthetic Rubber Gasket, Std. Sportlight and Models S and S-1, 1/8" thick.....	.23	†3061-R	Clear Ruby Lens for Std. Sportlite... 2.30	
††3047	Synthetic Rubber Gasket, Jr. Sportlight and Models J and J-1, 1/8" thick.....	.23	†3061-RP	Clear Ruby Lens with "POLICE" on inside face—for Std. Sportlite.....	4.14
†3048	Lens for Jr. Sportlite, 5 13/32" O.D.....	.58	†3065	Lens for Deluxe Sportlite—6 1/4" O.D.	.58
†3048-RP	Clear Ruby Lens with "POLICE" on inside face—for Jr. Sportlite.....	4.14	††3070	Synthetic Rubber Gasket, Deluxe Sportlite and Models D and D-1, 1/8" thick.....	.23
†3061	Lens for Std. Sportlite—5 3/4" O.D....	.58	†6048	Lens for Model J and J-1—5 13/32" O.D.	.58
			†6048-R	Clear Red Lens for Model J and J-1 Light.....	2.30

Following are parts for 1934 and later model

**SAFETYLIGHTS**

Part No.	Description	List	Part No.	Description	List
††3003-A	Shoulder Post Gear Ass'y—18 teeth.	.81	††6010	Wire Clip.....	.06
††3005-A	Gear with stop—18 teeth.....	.35	†6013	Ring for J and J-1 light incl. #3071-2	1.27
3009	Use No. 6209.....		†6019	Ring for S and S-1 light incl. #3071-2	1.38
3011-A	Substitute Parts Nos. 9169, 9444 and 9646.....		††6023	Handle Sleeve and Bushing.....	1.04
3012	Washer.....	.46	††6024	Lamp Housing Plug.....	.35
††3015	Outside Post Bracket Gasket.....	.12	††*6027	Inside Tube and Gear—12 1/4" overall, 9/32" O.D. tube and 18 tooth gear	1.38
3021	Shoulder Bushing.....	.69	††*6027-A	Inside Tube and Gear—11 1/2" overall, 9/32" O.D. tube and 18 tooth gear	1.38
3022	Substitute Part No. 6122 with 3005-A.....		††*6027-B	Inside Tube and Gear—9 3/4" overall, 9/32" O.D. tube and 18 tooth gear..	1.38
††3026	Felt Washer.....	.07	†*6027-D	Inside tube and gear—10 5/16" overall, 9/32" O.D. tube and 18 tooth gear..	1.38
3033	Use No. 6209.....		†6028	Intermediate Tubing—10 5/8" overall.	.69
††3037	Screw to Switch.....	.06	†*6028-A	Substitute Part No. 6428-A.....	
††3038	Intermediate Tube Lock Screw.....	.06	†*6028-B	Substitute Part No. 6428-B.....	
3039	Wire Clip Screw.....	.06	†*6028-D	Intermediate Tubing—8 11/16" overall.	.69
††3040-C	P.K. Sheet Metal Bracket Screw....	.07	†*6029	Outside Tubing—8 5/8" overall.....	1.27
††3041	Switch Contact Screw and Housing Plug Screw.....	.07	†*6029-A	Outside Tubing—7 7/8" overall.....	1.27
3050	Handle Ball—1 Piece.....	1.04	†*6029-B	Outside Tubing—6 1/8" overall.....	1.27
††3051	Switch toggle only.....	.41	†*6029-D	Outside Tubing—6 11/16" overall.....	1.27
††3062	Shaft Sleeve for Bracket.....	.14	††6030	Screw for Cap.....	.06
3069	Substitute Parts Nos. 6369, 9444 and 9646.....		††6035	Handle Wedge and Nut.....	.23
††3071-2	Ring Screw and Nut, 6-32 x 9/16".....	.14	††6040	Horizontal Friction Screw.....	.12
††3073	Shoulder Spring.....	.07	††6040-A	Outside Bracket Clamp Screw—1 1/16" long.....	.12
††3089	Felt Washer.....	.06	††6040-B	Inside Bracket Clamp Screw—3/8" long.....	.12
††6000	Lamp Housing Casting.....	2.76	6040-C	Substitute No. 6040-A.....	
††6001	Handle Housing Casting.....	2.76			
††6002	Switch Cap Assembly, including Part Nos. 6051-A, 6151 & 2-6030..	1.27			

PARTS LIST CONTINUED ON PAGE 4

\* If other length tubes are desired—add \$1.00 list per foot per tube and specify overall length wanted.

PARTS PRICES (U.S.A.) PLEASE ORDER BY PART NUMBER  
WHENEVER POSSIBLE, PLEASE ORDER IN STANDARD PACKAGE MULTIPLES  
PRICES SUBJECT TO CHANGE WITHOUT NOTICE

## SAFETYLIGHTS—Continued

Part No.	Description	List	Part No.	Description	List
6046	6-8 volt—32 c.p. Bulb No. 1133.....	.21 net	†6350	Upper Section of Handle and Insert #6350-E.....	.69
6046-A	6-8 volt—50 c.p. Bulb No. 1183.....	.27 net	††6350-A	Lower Section of Handle.....	.35
††6046-B	Bulb Shield.....	.23	††6350-B	Handle Screw.....	.07
6046-C	12-16 volt—32 c.p. Bulb No. 1143.....	.33 net	†6367	Ring for D-4 and D-5 Light, incl. #9471-2.....	1.61
6046-D	12-16 volt—50 c.p. Bulb No. 1195.....	.45 net	6368	Shell Assembly for D-4 and D-5 Light —incl. Parts Nos. 6214 and 9468-A.....	4.14
††6051-A	Toggle Screw only.....	.06	6368-U	Shell Assembly for D-4 and D-5 (#250) Utility Light.....	4.14
††6053	Switch Assembly.....	.58	6369	Reflector for D-4 and D-5 Light.....	2.07
†6061	Lens for S-1-2-3-4-5 Lights, 5 $\frac{13}{16}$ " diam.....	.58	††6370	Synthetic Rubber Gasket for D-4, and D-5 Light, $\frac{3}{16}$ " thick.....	.23
†6061-BA	Blue Lens, with "CROSS" and "AMBULANCE" in White.....	2.30	††6403	Head Post—Gear Assy., incl. Nos. 3026, 6220, 6403, 6406 and 6409.....	1.73
†6061-F	Clear Ruby Lens, with "FIRE" in White.....	2.30	††6405	Gear, Handle End Inside Tube.....	.35
†6061-R	Clear Ruby Lens, 5 $\frac{13}{16}$ " diameter.....	2.30	††6407	Spring, Contact Brush.....	.06
†6061-RP	Clear Ruby Lens with "POLICE" on inside face—5 $\frac{13}{16}$ ".....	4.14	††6408	Contact Pin.....	.14
†6061-RS	Clear Ruby Lens with "SHERIFF" on inside face—5 $\frac{13}{16}$ ".....	4.14	††6411	Insulator, Terminal and Head Post.....	.14
†6061-RHP	Clear Ruby Lens with "HIGHWAY PATROL" on inside face—5 $\frac{13}{16}$ " diameter.....	4.14	††6412	Screw to Switch.....	.06
†6061-RPS	Clear Ruby Lens, with "POLICE STOP" on inside face—5 $\frac{13}{16}$ " diameter.....	4.14	††6421	Bushing, Head Post.....	.69
†6065	Lens for D, D-1, D-4, D-5 Lights, 6 $\frac{1}{4}$ " diameter.....	.58	††6424	Plug, Head Housing.....	.35
†6065-R	Clear Ruby Lens, 6 $\frac{1}{4}$ " diameter.....	2.30	†6427-A	Inside Tube, incl. Parts 3004-A, 6406, 6494, 6496, 16322, 16323, 16324-11 $\frac{13}{16}$ " overall.....	1.96
†6065-RP	Clear Ruby Lens, with "POLICE" on inside face—6 $\frac{1}{4}$ ".....	4.14	6427-B	Inside Tube incl. Parts 3004-A, 6406, 6494, 6496, 16322, 16323, 16324, 9 $\frac{3}{4}$ " overall for S-5, D-5 Utility Lights.....	1.96
†6065-RS	Clear Ruby Lens with "SHERIFF" on inside face—6 $\frac{1}{4}$ ".....	4.14	†6428-A	Intermediate Tube—9 $\frac{7}{8}$ " overall.....	.81
†6067	Ring for D and D-1 Light, incl. #3071-2.....	1.61	†6428-B	Intermediate Tube—8 $\frac{7}{8}$ " overall.....	.81
6091	Fuse Holder, complete with 14 Amp. Fuse.....	.35	††6441	Screw, Plug—4-36 x 5 $\frac{16}{100}$ oval head.....	.06
†6100	Lamp Housing Casting.....	2.76	6446	Glaseal Spotlight Bulb, 6-volt #4535.....	2.75 net
††6103	Shoulder Post Assembly, including 3003-A, 18 tooth gear, 6120 and 6126.....	1.15	††6452	Wire, Contact to Bulb, incl. 2-9081.....	.14
6120	Shoulder Post—See 6103.....	.69	††6453	Switch Assembly for S-5 and D-5, including #6497, Outside Wire.....	1.38
††6121	Shoulder Bushing.....	.81	††6473	Head Post Spring.....	.14
††6122	Handle Shaft and Pinion Gear—12 teeth—tapped end.....	.92	††6483	Special Terminal.....	.14
††6123	Handle Sleeve and Bushing.....	.35	9146-A	6-8 volt, 50 c.p. Bulb, Mazda 1503.....	.35 net
††6124	Lamp Housing Plug.....	.06	9146-C	12-16 volt, 32 c.p. Bulb, Mazda 1327.....	.45 net
††6140	Wedge Pin.....	.21	9146-D	12-16 volt, 50 c.p. Bulb, Mazda 1507.....	.55 net
††6141	Vertical Friction Set Screw.....	.12	9169	Reflector for S-3, S-4 and S-5 Light.....	2.07
6141-W	Wrench for Set Screw, #6141.....	.12	††9170	Synthetic Rubber Gasket—S-3, S-4, and S-5, $\frac{3}{16}$ " thick.....	.23
6146	Substitute Part No. 9646.....	1.10 net	††9444	Bulb Socket.....	.58
6146-E	32-volt, 50 c.p., S.C. prefocussed base bulb, Mazda #1057.....	1.10 net	††9467	Ring for Model S-4 and S-5, inc., 9471-2.....	1.38
6146-ED	32-volt, 50 c.p. D.C. prefocussed base bulb, Mazda #1058.....	1.10 net	9468-B	Shell Assem., incl. 6114 and 9468-A.....	4.14
6146-G	24-28 volt, 50 c.p. Bulb, prefocussed base.....	.95 net	9468-C	Shell Assem., incl. 6114-A and 9468-A.....	4.14
†6150	Upper Section Handle and Insert 6150-C.....	.69	††9471-2	Ring Screw and Nut, 8-32 x $\frac{7}{16}$ ".....	.14
††6150-A	Lower Section Handle.....	.35	9646	6-8 volt, 32 c.p. Bulb, Mazda 1209.....	.30 net
††6150-B	Handle Screw.....	.07	9668-B	Shell Assembly, Model S-4 and S-5, including Parts Nos. 6214 and 9468-A.....	4.14
††6151	Switch Toggle only.....	.41	9668-BU	Shell Assembly for S-4 and S-5 (#150) Utility Light.....	4.14
†6152	Outside Wire.....	.40	†9675	Adaptor Locating Ring, including Ground Wire #9652 and Terminals No. 9081 and Two No. 9683.....	.69
†6152-A	Inside Wire.....	.46	††9683	Glaseal Bulb Terminal.....	.17
†6152-B	Inside Wire for Utility Spotlight.....	.46	All Brackets, except No. 100-7.....	2.25 Set	
††6173	Shoulder Spring.....	.07	Outside Bracket.....	1.38	
††6203	Shoulder Post Assem., incl. 3003-A, 18 tooth gear, 6220 and 3026.....	1.15	Inside Bracket.....	.92	
††6209	Nut for Handle & Shoulder Post.....	.12	Open Car Brackets.....	2.25	
6220	Head Post—See No. 6203 or 6403.....	.69	Bracket No. 100-7—Roof Mounting.....	4.14 Set	
††6221	Shoulder Bushing.....	.69	Bracket Locating Fixture and Pointer.....	1.50 net	
6223	Substitute Part No. 6023.....	.69	Special $\frac{1}{2}$ " Twist Drill Bit—10" Long.....	4.90 net	
†6250	Upper Section Ball Handle and Insert 6150-C.....	.69	Resilvering Reflector.....	1.25 net	
††6250-A	Lower Section Ball Handle.....	.35	<b>SUB-ASSEMBLIES</b>		
††6295	Shell Ornament, complete with Unity Name Plate #6297.....	.92	Handle Housing Assembly, complete with Switch, Pinion, Sleeve and Handle (Order by Handle Housing Number, e.g., #6001 Handle Housing Assembly).....		6.21
††6296	Shell Ornament Attaching Screw.....	.07	Head Housing Assembly, includes Shell Assembly, Reflector, Bulb, Socket, Gasket, Lens and Ring—order by Model:		
			Model S3, S4, S5.....		9.66
			Model D4, D5.....		12.42

On Jobber orders for Parts Only, totaling less than \$3.00 wholesale, a service charge of 25¢ will be added.