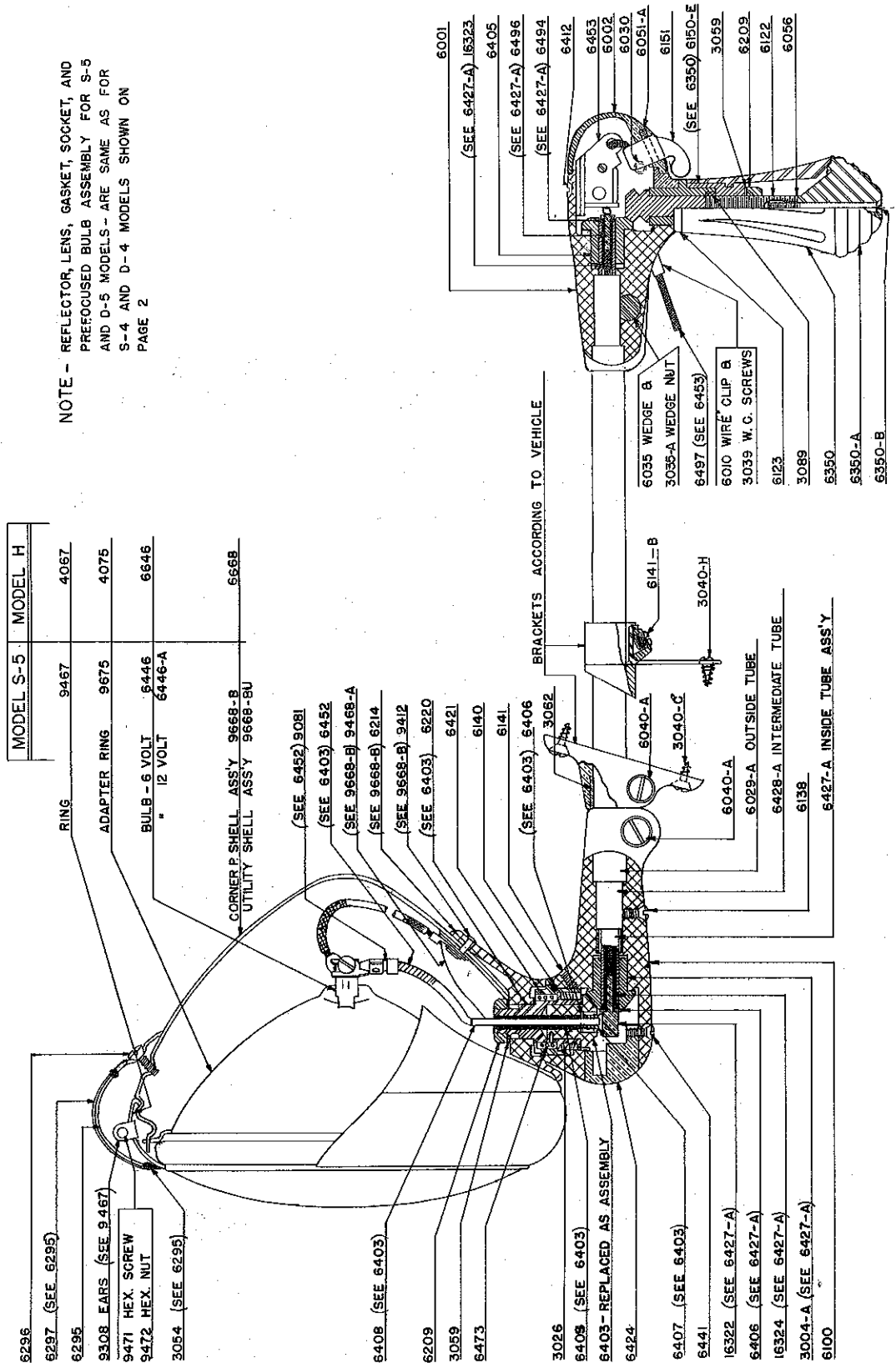


Model S-5 (No. 125-175 225-275) and Model H (No. 50) Glaseal Safetylights and Model D-5 Safetylight

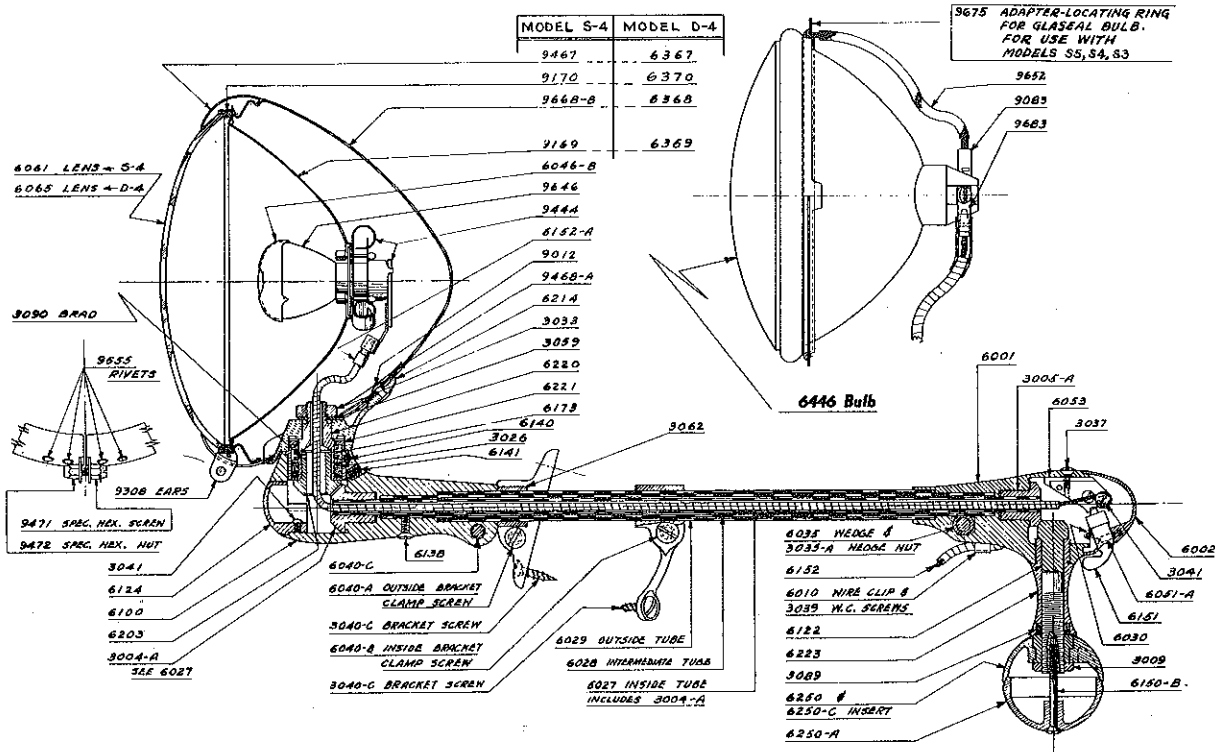
NOTE - REFLECTOR, LENS, GASKET, SOCKET, AND PREFOCUSED BULB ASSEMBLY FOR S-5 AND D-5 MODELS - ARE SAME AS FOR S-4 AND D-4 MODELS SHOWN ON PAGE 2



SEE PAGES 3 and 4 FOR PRICES AND DESCRIPTIONS OF PARTS

UNITY MANUFACTURING CO., 2909 Indiana Ave., CHICAGO 16, ILL.

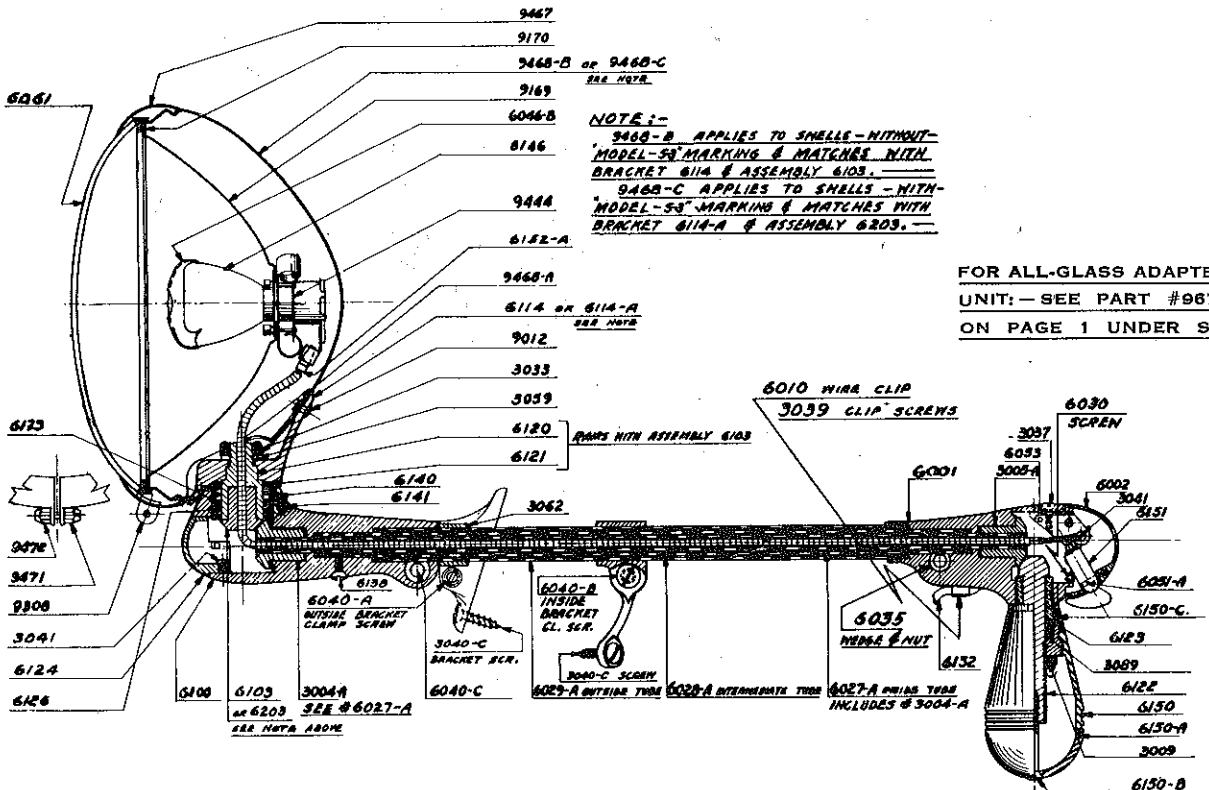
Model S-4 and D-4 Safetylight-1939 to 1944



See New Handle and Shell Ornament on Page 1 on S-5

SEE PAGES 3 and 4 FOR PRICES AND DESCRIPTIONS OF PARTS

Model S-3 Safetylight-1939 to 1944



See New Handle and Shell Ornament on Page 1 on S-5

SEE PAGES 3 and 4 FOR PRICES AND DESCRIPTIONS OF PARTS

Illustrations of all Unity Spotlights built since 1939 inclusive appear on Pages 1 and 2. Repair parts for Unity "Sportlights" built prior to 1934 and for "Safetylights" built from 1934 to 1939, are no longer available, except lenses and gaskets, which are listed below.

†—One Dagger before Parts Number indicates that such part is packed and labeled ONE TO A CARTON.

††—Two Daggers before Parts Number indicates that such part is packed and labeled in STANDARD PACKAGE OF TEN PIECES. Where less than ten of such parts are ordered, they are packed in marked paper bags.

Parts with no daggers before them are either individually wrapped or packed in marked paper bag.

N. B.—On Wholesale orders for Parts Only, totalling less than \$3.00 wholesale, a Service Charge of 25¢ will be added.

EFFECTIVE MARCH 1, 1948

**PARTS PRICES (U.S.A.) PLEASE ORDER BY PART NUMBER
WHENEVER POSSIBLE, PLEASE ORDER IN STANDARD PACKAGE MULTIPLES.
PRICES SUBJECT TO CHANGE WITHOUT NOTICE**

GASKETS

Part No.	Description	List Price
††3070	Synthetic Rubber Gasket, 1/8" thick, for all Sportlites and Model S, S1, S2, D & D1 Safetylights—19" long—cut to fit light.....	.23
††6370	Synthetic Rubber Gasket, 7/32" x 5/32", for S3, S4, S5, D4 & D5 and Model H Safetylights, 19 1/2" long—cut to fit light.....	.23

BULBS Net—No Discount

Bayonet base type, Single Contact for Sportlites and S, S1, S2, D & D1 Safetylights

Part No.	Description	List Price
6046	6-8 Volt, 32 C.P., Bulb No. 1133...	.25 net
6046-A	6-8 Volt, 50 C.P., Bulb No. 1183...	.27 net
6046-C	12-16 Volt, 32 C.P., Bulb No. 1143	.33 net
6046-D	12-16 Volt, 50 C.P., Bulb No. 1195	.45 net
Prefocused type, single contact for S3, S4, S5 & H Safetylights		
6146	Substitute No. 9646.....	
6146-E	32 Volt, 50 C.P., Bulb No. 1057...	1.10 net
6146-G	24-28 Volt, 50 C.P.....	.95 net
9146-A	6-8 Volt, 50 C.P., Bulb No. 1503...	.35 net
9146-C	12-16 Volt, 32 C.P., Bulb No. 1327	.45 net
9146-D	12-16 Volt, 50 C.P., Bulb No. 1507	.55 net
9646	6-8 Volt, 32 C.P., Bulb No. 1209 or 1323.....	.34 net
9646-S	6-8 Volt, 32 C.P., Bulb No. 1209-S	.39 net
SEALED BEAM TYPE.		
6646	6 Volt, 30 Watt, No. 4535 for S3, S4, S5 Safetylights	1.75 net
6646-A	12 Volt, 30 Watt, No. 4435 for S3, S4, S5 Safetylights	2.25 net
6646	6 Volt, 30 Watt, No. 4515 for H Safetylight	1.75 net

LENSES

Part No.	Clear—Crystal Description	List Price
†3048	Lens for Jr. Sportlite, 5 1/8" O.D.....	.58
†3061	Lens for Std. Sportlite, 5 3/4" O.D....	.58
†3065	Lens for Deluxe Sportlite, 6 1/4" O.D.58
†4048	Lens for "H" Safetylight 4 3/8" O.D.58
†6048	Lens for J & J1 Safetylight, 5 1/8" O.D.58
†6061	Lens for S, S1, 2, 3, 4, 5 Safetylights, 5 1/8" O.D.58
†6065	Lens for D, D1, 4, 5 Safetylights, 6 1/4" O.D.58
Clear Ruby Lenses		
†3048-RP	Ruby "POLICE" lens, for Jr. Sportlite, 5 1/8" O.D.	4.00
†3061-R	Ruby Lens for Std. Sportlite, 5 3/4" O.D.	4.00
†3061-RP	Ruby "POLICE" lens, for Std. Sportlite, 5 3/4" O.D.	4.00
†6048-R	Ruby Lens for J & J1 Safetylight 5 1/8" O.D.	4.00
†6061-R	Ruby Lens for S, S1, 2, 3, 4, 5 Safetylights, 5 1/8" O.D.	4.00
†6065-R	Ruby Lens for D, D1, 4, 5 Safetylights, 6 1/4" O.D.	4.00
FIRED CERAMIC COLORED LENSES WITH WHITE LETTERING		
†6061-BA	Blue Lens with "Cross" & "Ambulance"—for S, S1, 2, 3, 4, 5 Safetylights, 5 1/8" O.D.	2.30
†6061-F	Red Lens with "FIRE"—for S, S1, 2, 3, 4, 5 Safetylights, 5 1/8" O.D....	2.30
†6061-RP	Red Lens with "POLICE" for S, S1, 2, 3, 4, 5 Safetylights 5 1/8" O.D.	2.30
†6061-RHP	Red Lens with "HIGHWAY PATROL", for S, S1, 2, 3, 4, 5 Safetylights, 5 1/8" O.D.	2.30
†6061-RPS	Red Lens with "POLICE STOP" for S, S1, 2, 3, 4, 5 Safetylights, 5 1/8" O.D.	2.30
†6061-RS	Red Lens with "SHERIFF", for S, S1, 2, 3, 4, 5 Safetylights, 5 1/8" O.D.	2.30
†6061-RST	Red Lens with "STOP", for S, S1, 2, 3, 4, 5 Safetylights, 5 1/8" O.D.	2.30
†6065-RP	Red Lens with "POLICE", for D, D1, 4, 5 Safetylights, 6 1/4" O. D.	2.30
†6065-RS	Red Lens with "SHERIFF", for D, D1, 4, 5 Safetylights, 6 1/4" O.D....	2.30

PARTS PRICES (U.S.A.) PLEASE ORDER BY PART NUMBER
WHENEVER POSSIBLE, PLEASE ORDER IN STANDARD PACKAGE MULTIPLES.
PRICES SUBJECT TO CHANGE WITHOUT NOTICE

Part No.	Description	List Price	Part No.	Description	List Price
††3005-A	Gear with stop—18 teeth	.35	††6296	Shell Ornament Attaching Screw	.07
3009	Use No. 6209		†6350	Upper Section of Handle and Insert #6350-E	.69
††3015	Outside Post Bracket Gasket	.12	††6350-A	Lower Section of Handle	.35
††3026	Felt Washer	.07	††6350-B	Handle Screw	.07
3033	Use No. 6209		†6367	Ring for D-4 and D-5 Light, incl. #9471-2	1.61
††3037	Screw to Switch	.06			
3039	Wire Clip Screw	.06	6368	Substitute S-5 Head Assembly	
††3040-C	P.K. Sheet Metal Bracket Screw	.07	6368-U	Substitute S-5 Utility Head Assy.	
††3041	Switch Contact Screw and Housing Plug Screw	.07	6369	Reflector for D-4 and D-5 Light	2.07
††3062	Shaft Sleeve for Bracket	.14	††6403	Head Post & Gear Assy., incl. No.s 3026, 3073A, 6220, 6403, 6406, 6407, 6408, 6409 & 6452 Wire	1.73
††3089	Felt Washer	.06			
†4067	Ring for Model H, incl. #9471-2	1.38	††6405	Gear, Handle End Inside Tube	.35
4068-H	Shell Assembly incl. Shell Bracket & Reinforcing Plate	4.14	6406	} See No. 6403	
†4075	Adapter Ring, incl. Ground Wire & No. 9683 Terminal	1.50	6407		
†6001	Handle Housing Casting	2.76	6408		
††6002	Switch Cap Assembly, including Part Nos. 6051-A, 6151 & 2-6030	1.27	6409		
††6010	Wire Clip	.06	††6412	Screw to Switch	.06
††6023	Handle Sleeve and Bushing	1.04	††6421	Bushing, Head Post	.69
††*6027	Inside Tube and Gear—12 $\frac{1}{4}$ " overall, $\frac{3}{8}$ " O.D. tube and 18 tooth gear	1.38	††6424	Plug, Head Housing	.35
††*6027-A	Inside Tube and Gear—11 $\frac{1}{2}$ " overall, $\frac{3}{8}$ " O.D. tube and 18 tooth gear	1.38	†*6427-A	Inside Tube, incl. Parts 3004-A, 6406, 6494, 6496, 16322, 16323, 16324-12" overall	1.96
††*6027-B	Inside Tube and Gear—9 $\frac{3}{4}$ " overall, $\frac{3}{8}$ " O.D. tube and 18 tooth gear	1.38	†*6427-B	Inside Tube incl. Parts 3004-A, 6406, 6494, 6496, 16322, 16323, 16324, 10 $\frac{1}{4}$ " overall for S-5, D-5 Utility Lights	1.96
†*6027-D	Inside tube and gear—10 $\frac{3}{8}$ " overall, $\frac{3}{8}$ " O.D. tube and 18 tooth gear	1.38	†*6427-H	Inside Tube Assy., incl. 3004A, 6406, 6494, 6496, 16322, 16323, 16324 — 11 $\frac{3}{8}$ " overall	.81
†*6028	Intermediate Tubing—10 $\frac{3}{8}$ " overall	.69	†*6428-A	Intermediate Tube—9 $\frac{7}{8}$ " overall	.81
†*6028-A	Substitute Part No. 6428-A		†*6428-B	Intermediate Tube, 8 $\frac{1}{8}$ " overall, for S5 & D5 Utility lights, milled faces opposite	.81
†*6028-B	Substitute Part No. 6428-B		†*6428-BC	Same as 6428-B, except for short corner post lights, milled faces together	.81
†*6028-D	Intermediate Tubing—8 $\frac{11}{16}$ " overall	.69	†*6428-H	Intermediate Tube, 9 $\frac{1}{4}$ " overall	.81
†*6029	Outside Tubing—8 $\frac{3}{8}$ " overall	1.27	††6441	Screw, Plug—4.36 x $\frac{5}{16}$ " oval head	.06
†*6029-A	Outside Tubing—7 $\frac{1}{2}$ " overall	1.27	††6453	Switch Assembly for S-5 and D-5, including #6497, Outside Wire	1.38
†*6029-B	Outside Tubing—6 $\frac{1}{8}$ " overall	1.27	††6473	Head Post Spring	.14
†*6029-D	Outside Tubing—6 $\frac{11}{16}$ " overall	1.27	9169	Reflector for S-3, S-4 and S-5 Light	2.07
†*6029-H	Outside Tubing—7 $\frac{1}{4}$ " overall	1.27	††9444	Bulb Socket	.58
††6030	Screw for Cap	.06	†9467	Ring for Model S-4 and S-5, incl. 9471-2	1.38
††6035	Handle Wedge and Nut	.23	9468-B	Shell Assem., incl. 6114 and 9468-A	4.14
††6040	Horizontal Friction Screw	.12	9468-C	Shell Assem., incl. 6114-A and 9468-A	4.14
††6040-A	Outside Bracket Clamp Screw—1 $\frac{1}{16}$ " long	.12	††9471-2	Ring Screw and Nut, 8-32 x $\frac{1}{16}$ "	.14
††6040-B	Inside Bracket Clamp Screw— $\frac{3}{8}$ " long	.12	9668-B	Shell Assembly, Model S-4 and S-5, including Parts Nos. 6214 and 9468-A	4.14
6040-C	Substitute No. 6040-A		9668-BU	Shell Assembly for S-4 and S-5 (#150) Utility Light	4.14
††6046-B	Bulb Shield	.23	†9675	Adapter Locating Ring, including Ground Wire and #9683 Terminal	1.50
††6051-A	Toggle Screw only	.06	††9683	Glaseal Bulb Terminal	.17
††6053	Switch Assembly	.58	All Brackets, except No. 100-7		2.25 Set
6091	Fuse Holder, complete with 14 Amp. Fuse	.35	Outside Bracket		1.38
†6100	Lamp Housing Casting	2.76	Inside Bracket		.92
††6103	Shoulder Post Assembly, including 3003-A, 18 tooth gear, 6120 and 6126	1.15	Open Car Brackets		2.25
6120	Shoulder Post—See 6103		Bracket No. 100-7—Roof Mounting		4.14 Set
††6121	Shoulder Bushing	.69	Bracket Locating Fixture and Pointer		1.50 net
††6122	Handle Shaft and Pinion Gear—12 teeth—tapped end	.81	Special $\frac{1}{2}$ " Twist Drill Bit—10" Long		4.90 net
††6123	Handle Sleeve and Bushing	.92	Resilvering Reflector		1.25 net
††6124	Lamp Housing Plug	.35			
††6138	Intermediate Tube Lock Screw	.06			
††6140	Wedge Pin	.06			
††6141	Vertical Friction Set Screw	.21			
6141-W	Wrench for Set Screw #6141	.12			
†6150					
††6150-A	} Substitute Parts 6350, 6350A & 6350B				
††6150-B					
†6151	Switch Toggle only	.41			
†6152	Outside Wire	.40			
†6152-A	Inside Wire	.46			
†6152-B	Inside Wire for Utility Spotlight	.46			
††6173	Shoulder Spring	.07			
††6203	Shoulder Post Assem., incl. 3003-A, 18 tooth gear, 6220 and 3026	1.15			
††6209	Nut for Handle & Shoulder/Post	.12			
6220	Head Post—See No. 6203 or 6403				
††6221	Shoulder Bushing	.69			
6223	Substitute Part No. 6023				
†6250	Upper Section Ball Handle and Insert 6150-C	.69			
††6250-A	Lower Section Ball Handle	.35			
††6295	Shell Ornament, complete with Unity Name Plate #6297	.92			

SUB-ASSEMBLIES

Head Assembly, includes Shell Assembly, Adapter Ring, Glaseal Bulb, Ring & Ornament—Order by Model and Voltage.	
Model S5 or H—6 Volt	9.66
Model S5 or H—12 Volt	10.16
Head Casting and Tube Assembly, includes Head Casting & three tubes—Order by overall length—11"—12 $\frac{1}{8}$ "—12 $\frac{3}{4}$ "—also whether for corner post or roof mounting light	6.80
Handle Casting & Handle Assy., includes Handle Casting, Switch, Switch Cap, Handle Gear, Shaft & Pinion Gear, Sleeve & Bushing and complete Plastic Handle; specify whether for S3, S4, S5, D4 or D5 Light	7.91
Complete set of Screws and Nuts for Spotlight, Specify Model of Light.	
Model S3, S4, D4	1.98
Model S5, D5	1.77

* If other length tubes are desired—add \$1.00 list per foot, or part thereof, per tube and specify overall length wanted.