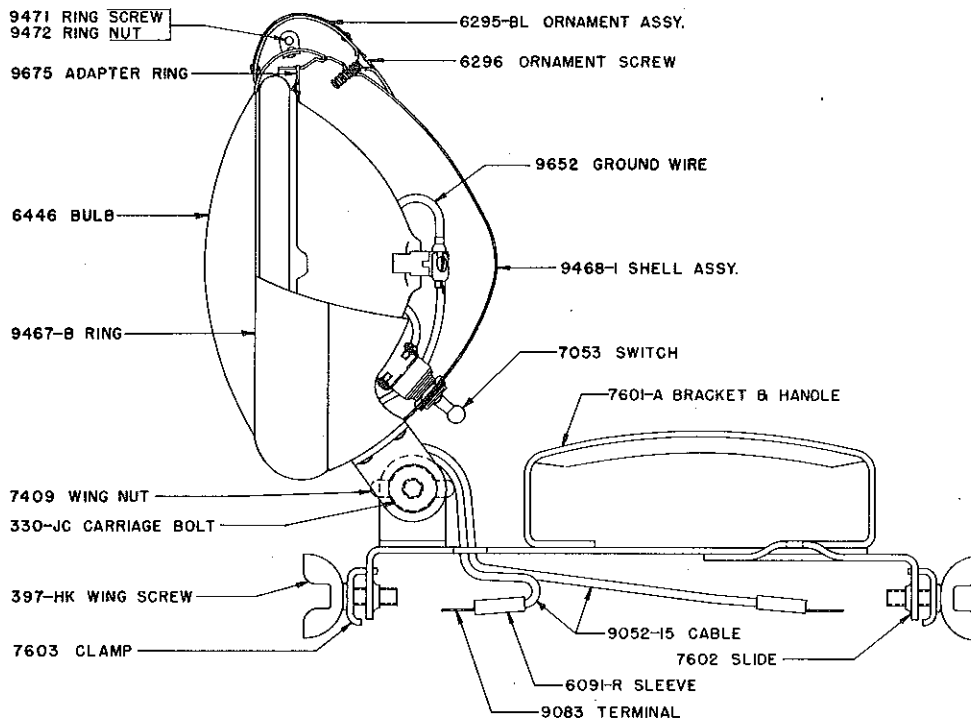


# PARTS FOR No. 760 ATOM RAY



PART NO.	DESCRIPTION	LIST PRICE
330-JC	Carriage Bolt .....	\$ .15
397-HK	Wing Bolt .....	.15
6091-R	Sleeve .....	.05
6295-BL	Ornament Assembly .....	.92
6296	Ornament Screw .....	.07
6446	6 Volt Sealed Beam Bulb, 30 Watt .....	1.85
7053	Switch .....	1.05
7409	Wing Nut .....	.15
7601-A	Bracket and Handle Assembly .....	2.25
7602	Slide .....	.40
7603	Clamp .....	.08
9052-15	Cable .....	.20
9083	Terminal .....	.14
9467-B	Ring .....	1.38
9468-1	Shell Assembly .....	4.14
9471-72	Ring Screw and Nut .....	.14
9652	Ground Wire .....	.10
9675	Adapter Ring .....	1.35

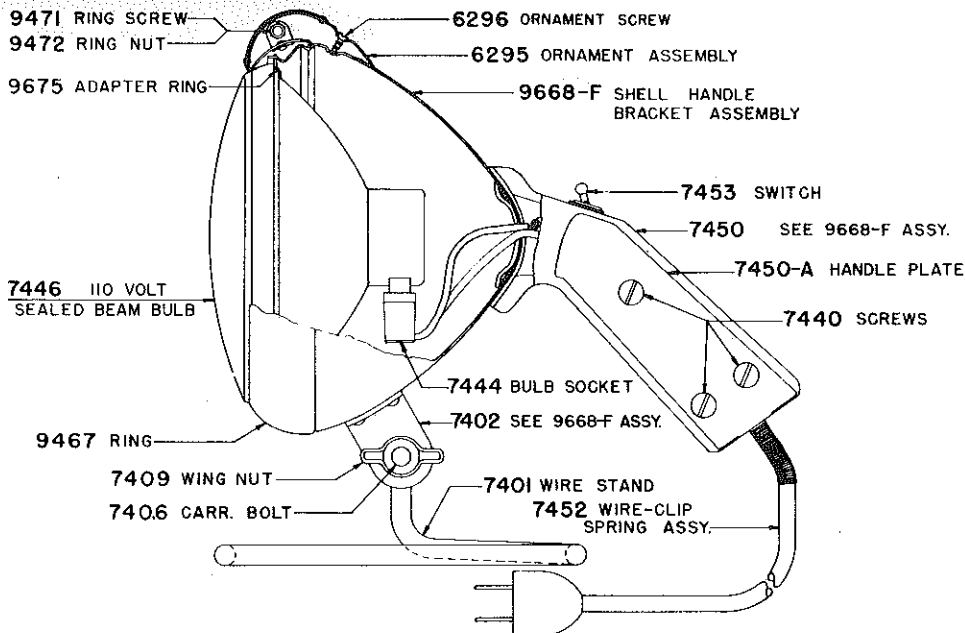
The 760 Battery Light may be used in conjunction with the following 9 volt Metal-Clad Batteries:

Eveready #1662 manufactured by National Carbon Div., Union Carbide & Carbon Corp., 30 E. 42nd Street, New York 17, N. Y.

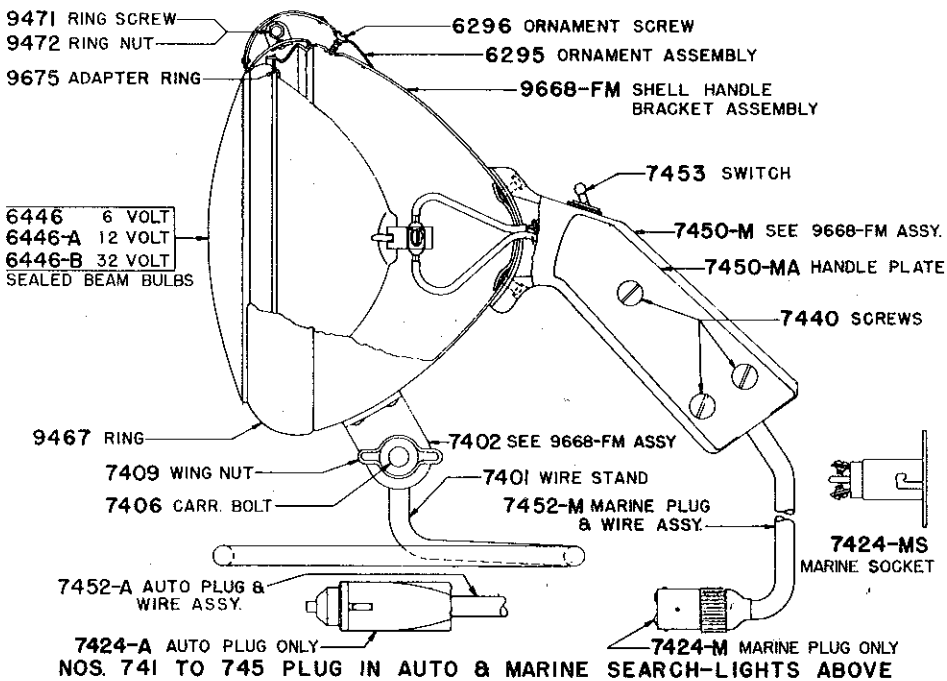
Winchester #6615 manufactured by Olin Industries, Inc., Electrical Division, New Haven, Connecticut.

Battery #4F6H manufactured by Burgess Battery Co., Freeport, Illinois.

Battery #9924SM manufactured by the Specialty Battery Co., Madison 10, Wisconsin. (Subsidiary of the Rayovac Co.)



NO. 740-PLUG-IN HOME 110 VOLT SEARCH-LIGHT ABOVE



NOS. 741 TO 745 PLUG IN AUTO & MARINE SEARCH-LIGHTS ABOVE

Part No.	Description	List Price	Part No.	Description	List Price
6295	Ornament Assembly.....	\$ .92	7444	110 Volt Socket.....	\$ .50
6296	Ornament Screw.....	.07	7446	110 Volt Sealed Beam Bulb, 200 Watt.....	3.35
6446	6 Volt Sealed Beam Bulb, 30 Watt.....	1.65	7450A	Handle Plate.....	1.00
6446A	12 Volt Sealed Beam Bulb, 30 Watt.....	2.10	7452	110 Volt Wire Assy.....	1.50
6446B	32 Volt Sealed Beam Bulb, 150 Watt.....	4.10	7452A	Auto Wire Assy.....	1.60
7401	Wire Stand.....	1.50	7452M	Marine Wire Assy.....	2.00
7406	Carriage Bolt, Brass, Chrome Plated.....	.15	7453	Switch.....	.75
7409	Wing Nut, Brass, Chrome Plated.....	.15	9467	Ring, incl. Nos. 9471-2.....	1.38
7424A	Cigarette Lighter Plug.....	.80	9471-2	Screw & Nut for Ring.....	.14
7424AR	Receptacle for Cig. Ltr. Plug.....	1.20	9668F	Shell handle & bracket Assy. for 110 Volt.....	7.50
7424M	Marine Plug.....	.70	9668FM	Shell handle & bracket Assy. for Auto & Marine.....	7.50
7424MS	Marine Female Socket.....	1.00			
7440	Handle Screws.....	.05			