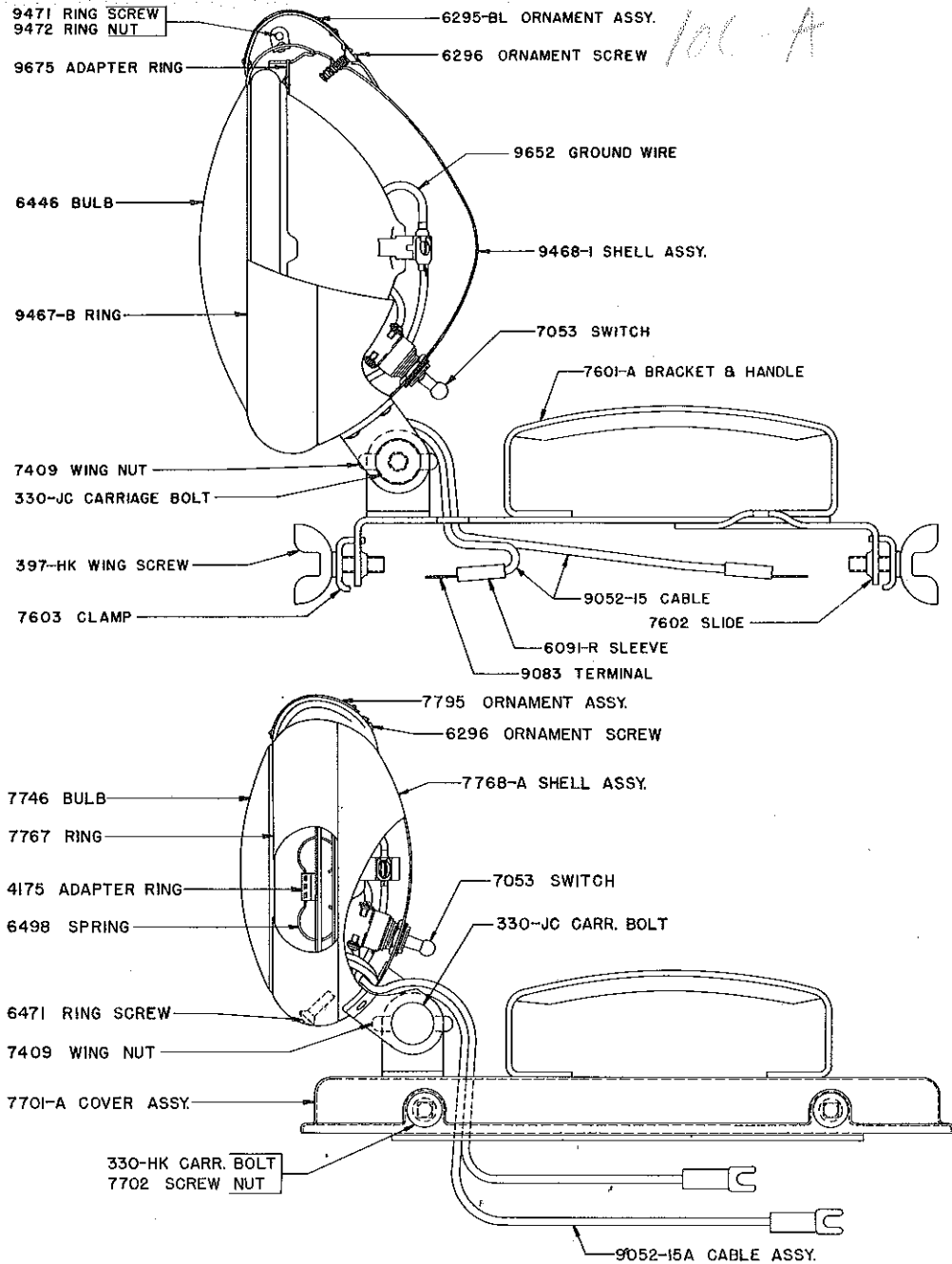


PARTS LIST FOR No. 760 & No. 761 BATTERY LAMPS



Part No.	Description	List Price	Part No.	Description	List Price
330HK	Carriage Bolt	\$.15	7603	Clamp	\$.08
330JC	Carriage Bolt15	7701A	Cover Ass'ly.	2.25
397HK	Wing Bolt15	7702	Screw Nut25
4175	Adapter Ring70	7746	Sealed Beam 6 Volt	2.35
6091R	Sleeve05	7767	Ring	1.38
6295BL	Ornament Ass'ly.92	7768A	Shell Ass'ly.	4.14
6296	Ornament Screw07	7795	Ornament Ass'ly.92
6446	Sealed Beam 6 Volt	2.00	9052-15A	Cable Ass'ly.34
6471	Ring Screw06	9467B	Ring	1.38
6498	Spring06	9468-1	Shell Ass'ly.	4.14
7053	Switch	1.05	9471-72	Ring & Screw Nut14
7409	Wing Nut15	9652	Ground Wire10
7601A	Br'kt. & Handle Ass'y.	2.25	9675	Adapter Ring	1.35
7602	Slide40			

The 760 Battery Light may be used in conjunction with the following 9 volt Metal-Clad Batteries:

Eveready #1662 manufactured by National Carbon Div., Union Carbide & Carbon Corp., 30 E. 42nd Street, New York 17, N. Y.

Winchester #6615 manufactured by Olin Industries, Inc., Electrical Division, New Haven, Connecticut.

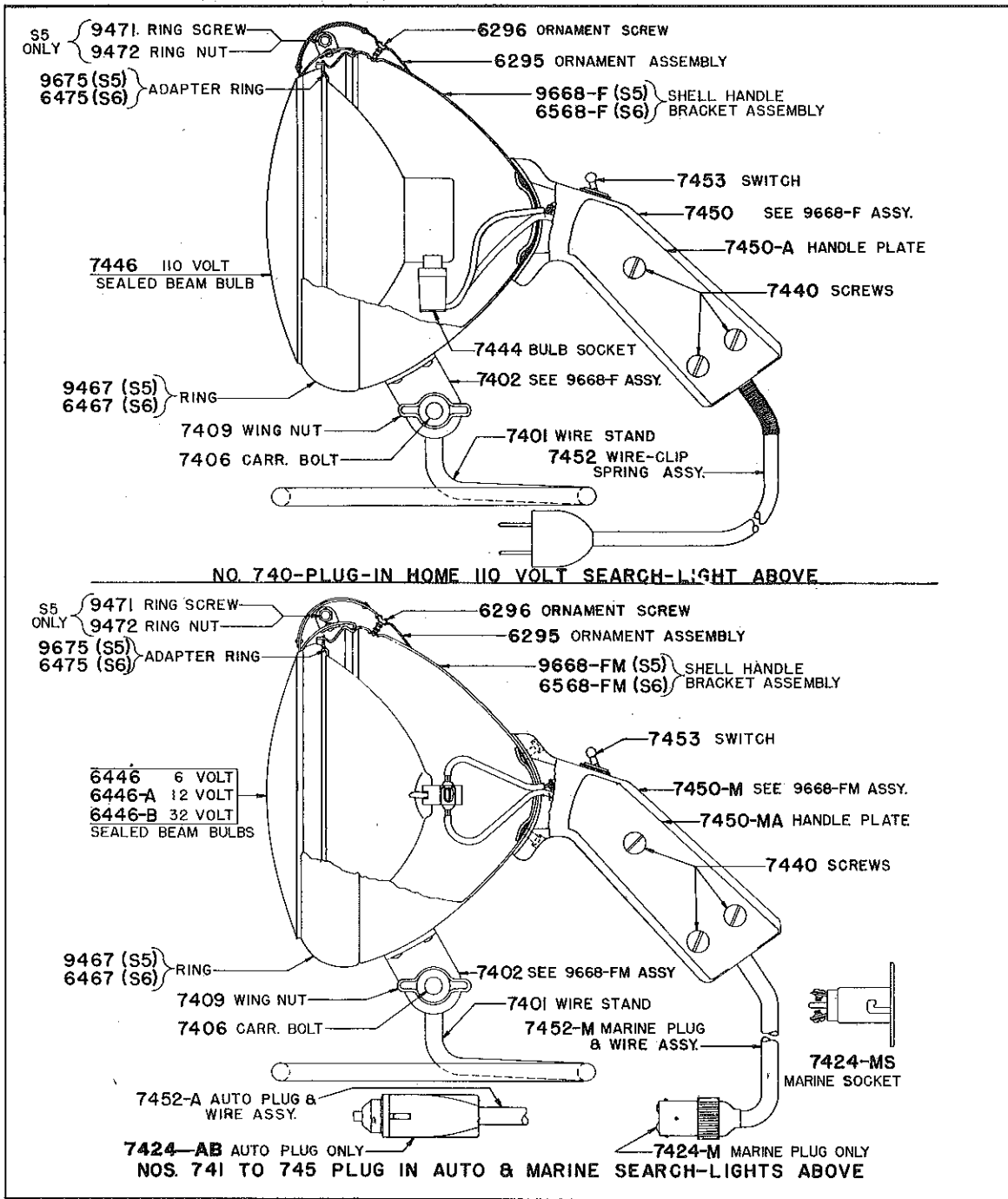
Battery #4F6H manufactured by Burgess Battery Co., Freeport, Illinois.

Battery #9924SM manufactured by the Specialty Battery Co., Madison 10, Wisconsin. (Subsidiary of the Rayovac Co.)

The 761 uses conventional 6 Volt Hot Shot Battery.

Form 106-A—June, '54

PARTS LIST FOR No. 740 SERIES PLUG IN SEARCHLIGHT



Part No.	Description	List Price	Part No.	Description	List Price
6295	Ornament Ass'y.	\$.92	7424MS	Marine Socket	\$1.00
6296	Ornament Screw	.07	7440	Screws	.05
6446	Sealed Beam 6 Volt	2.00	7444	Bulb Socket 110 Volt	.50
6446A	Sealed Beam 12 Volt	2.60	7446	110 Volt Sealed Beam	3.85
6446B	Sealed Beam 32 Volt	4.10	7450	Handle	4.00
6467	Ring	1.38	7450A	Handle Plate	1.00
6475	Adapter Ring	.70	7450MA	Handle Plate	1.00
6568F	Shell, Handle Ass'y.	7.50	7452	Wire Clip Spring Ass'y.	1.50
6568FM	Shell, Handle Ass'y.	7.50	7452A	Auto Plug & Wire Ass'y.	1.60
7401	Wire Stand	1.50	7452M	Marine Plug & Wire	2.00
7406	Carriage Bolt	.15	7453	Switch	.75
7409	Wing Nut	.15	9467	Ring	1.38
7424AB	Auto Plug Only	.80	9471-2	Ring Screw & Nut	.14
7424AR	Receptacle, Cigar Litr	1.20	9668F	Shell, Handle Ass'y.	7.50
7424M	Marine Plug Only	.70	9668FM	Shell, Handle Ass'y.	7.50
			9675	Adapter Ring	1.50